

# GETRIEBEBAU NORD

Member of the NORD DRIVESYSTEMS Group



Getriebebau NORD GmbH & Co. KG

Getriebebau-Nord-Straße 1 • 22941 Bargteheide, Germany • www.nord.com

## SK TU4-CAO

Part number: 275 281 101

### CANopen® – External Bus Interface

The bus interface may only be installed and commissioned by qualified electricians. An electrician is a person who, because of their technical training and experience, has sufficient knowledge with regard to

- Switching on, switching off, isolating, earthing and marking power circuits and devices,
- Proper maintenance and use of protective devices in accordance with defined safety standards.

**DANGER**

### Danger of electric shock

The frequency inverter carries hazardous voltage for up to 5 minutes after being switched off.

- Work must not be carried out unless the frequency inverter has been disconnected from the voltage and at least 5 minutes has elapsed since the mains was switched off.

### Validity of document

This document is only valid in conjunction with the operating instructions of the respective frequency inverter and the bus communication manual for this bus interface (📖 See overview at end of document). These documents contain all of the information that is required for safe commissioning of the bus interface module and the frequency inverter.

### Scope of delivery

1 x	Bus interface	SK TU4-CAO
4 x	Hexagonal socket screw	M4 x 40 mm
<b>Accessories required:</b>		
1 x	Bus connection unit TI 275280000	SK TI4-TU-BUS (Part No.: 275 280 000)



### Usage area

External technology unit for connecting a decentralised frequency inverter (NORDAC *BASE*, NORDAC *FLEX*) to a **CANopen** field bus. The bus interface can be mounted on, or in the immediate vicinity of the frequency inverter. This is connected to the inverter via the system bus, and can directly access up to 4 frequency inverters. 4 digital inputs and 2 digital outputs are available.

Technical Information / Datasheet	SK TU4-CAO			
CANopen Bus module	TI 275281101	V 1.3	0623	en

## Technical Data

### Bus interface

Temperature range	-25 °C...50 °C
Temperature class	Class 3K3
Supply voltage	24 V ± 20 %, ≈ 100 mA Reverse polarity protected

Vibration resistance	3M7
Protection class	IP55
Dimensions [mm]*	H x W x D: 95 x 136 x 91

\* bus interface fitted to bus connection unit

Digital input - working range	Low: 0 V ... 5 V, High: 15 V ... 30 V
Digital input - specific data	R <sub>i</sub> = 8 kΩ, input capacity: 10 nF, response time 1 ms, inputs as per EN 61131-2 type 1
Digital output - 24 VDC power supply	≤ 400 mA (input)
Digital input - working range	Low = 0 V, High = 24 V; max. 200 mA

### Bus specification

CANopen	Max. 1 MBit/s																												
	electrical isolation 500 V <sub>eff</sub>																												
Bus connection	Connection terminals																												
Bus termination	via DIP switch on the bus interface																												
Status display	4 LEDs																												
Topology	Linear bus																												
Cable	twisted, shielded two-conductor cable																												
Cable length	depending on transmission speed:																												
	<table border="1"> <thead> <tr> <th>Bus cable length</th> <th>Resistance</th> <th>Cross-section</th> <th>Transfer rate</th> </tr> </thead> <tbody> <tr> <td>Up to 25 m</td> <td>70 mΩ/m</td> <td>≥ 0.25 mm<sup>2</sup>, AWG23</td> <td>1 Mbit/s</td> </tr> <tr> <td>25...50 m</td> <td>70 mΩ/m</td> <td>≥ 0.25 mm<sup>2</sup>, AWG23</td> <td>800 KBit/s</td> </tr> <tr> <td>50...80 m</td> <td>&lt; 60 mΩ/m</td> <td>≥ 0.34 mm<sup>2</sup>, AWG22</td> <td>500 KBit/s</td> </tr> <tr> <td>80...230 m</td> <td>&lt; 40 mΩ/m</td> <td>≥ 0.5 mm<sup>2</sup>, AWG21</td> <td>250 KBit/s</td> </tr> <tr> <td>230...480 m</td> <td>&lt; 26 mΩ/m</td> <td>≥ 0.75 mm<sup>2</sup>, AWG18</td> <td>125 KBit/s</td> </tr> <tr> <td>480...1000 m</td> <td>&lt; 20 mΩ/m</td> <td>≥ 1 mm<sup>2</sup>, AWG...</td> <td>50 KBit/s</td> </tr> </tbody> </table>	Bus cable length	Resistance	Cross-section	Transfer rate	Up to 25 m	70 mΩ/m	≥ 0.25 mm <sup>2</sup> , AWG23	1 Mbit/s	25...50 m	70 mΩ/m	≥ 0.25 mm <sup>2</sup> , AWG23	800 KBit/s	50...80 m	< 60 mΩ/m	≥ 0.34 mm <sup>2</sup> , AWG22	500 KBit/s	80...230 m	< 40 mΩ/m	≥ 0.5 mm <sup>2</sup> , AWG21	250 KBit/s	230...480 m	< 26 mΩ/m	≥ 0.75 mm <sup>2</sup> , AWG18	125 KBit/s	480...1000 m	< 20 mΩ/m	≥ 1 mm <sup>2</sup> , AWG...	50 KBit/s
	Bus cable length	Resistance	Cross-section	Transfer rate																									
	Up to 25 m	70 mΩ/m	≥ 0.25 mm <sup>2</sup> , AWG23	1 Mbit/s																									
	25...50 m	70 mΩ/m	≥ 0.25 mm <sup>2</sup> , AWG23	800 KBit/s																									
	50...80 m	< 60 mΩ/m	≥ 0.34 mm <sup>2</sup> , AWG22	500 KBit/s																									
	80...230 m	< 40 mΩ/m	≥ 0.5 mm <sup>2</sup> , AWG21	250 KBit/s																									
230...480 m	< 26 mΩ/m	≥ 0.75 mm <sup>2</sup> , AWG18	125 KBit/s																										
480...1000 m	< 20 mΩ/m	≥ 1 mm <sup>2</sup> , AWG...	50 KBit/s																										
Shield	via metal cable lead-in to PE																												
PE connection	via PE screw cap in terminal box																												

### Power

Update interval for process data between bus interface and frequency inverter	≥ 5 ms <sup>1,2</sup>
Parameter read/write access on the frequency inverter	> 20 ms <sup>2</sup>

<sup>1</sup> depending on bus utilisation

<sup>2</sup> depending on the setting of the **P153 min. system bus cycle** parameter

**Bus interface characteristics**

Parametrisation	CANopen via SDO
Addressing	via DIP switch
Setting the baud rate	via DIP switch
Supported CANopen profile	Communication profile DS -301
	Drive profile DS -402
Error Messages (Emergency Messages)	to CANopen communication profile DS-301
Access for NORD diagnosis tool via	diagnostics socket on the device (if available) and via frequency inverter

**Installation**

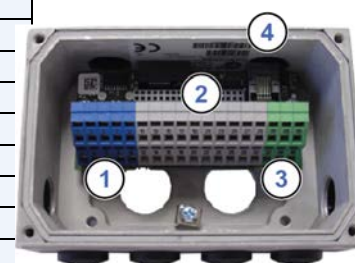
The bus interface must be attached to a suitable connection unit (SK TI4-TU...) and connected using the 4 provided M4 x 40 mm hexagon socket collar screws (Tightening torque 2 Nm). Installation details can be found in the data sheet for the relevant connection units.

## Connections

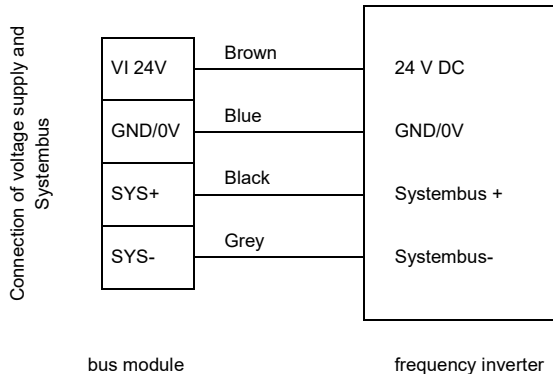
The connection of the field bus lines, signal lines and control lines takes place via the bus connection unit **SK TI4-TU-BUS(-C)**.

Terminals	Double-sprung terminal bar	2 x 18 contacts
Cable cross section	AWG 14-26	rigid: 0,14 ... 2,5 mm flexible: 0.14 ... 1.5 mm with wire end sleeves
PE connection	Via housing	
RJ12	RJ45 - socket	Interface for connecting a parameterisation tool

Potential	Contact	Designation	Description	
1	CANopen	1	24V-B CAO	External 24 V supply CANopen field bus
		2	24V-B CAO	External 24 V supply CANopen field bus
		3	CAO+ IN	CANopen Data cable + (Receive)
		4	CAO+ OUT	CANopen Data cable + (Transmit)
		5	CAO- IN	CANopen Data cable - (Receive)
		6	CAO- OUT	CANopen Data cable - (Transmit)
		7	GND B CAO	Bus reference potential
		8	GND B CAO	Bus reference potential
		9	SHLD	Bus shield
		10	SHLD	Bus shield
2	System bus level and digital inputs	11	24 V	Supply voltage (+24 V)
		12	24 V	Supply voltage (+24 V)
		13	24 V	Supply voltage (+24 V)
		14	Sys +	System bus data line +
		15	GND	Reference potential (0 V/GND)
		16	Sys -	System bus data line -
		17	GND	Reference potential (0 V/GND)
		18	GND	Reference potential (0 V/GND)
		19	DIN1	Digital input 1
		20	DIN3	Digital input 3
		21	GND	Reference potential (0 V/GND)
		22	GND	Reference potential (0 V/GND)
		23	24 V	Supply voltage (+24 V)
		24	24 V	Supply voltage (+24 V)
		25	DIN2	Digital input 2
		26	DIN4	Digital input 4
		27	GND	Reference potential (0 V/GND)
		28	GND	Reference potential (0 V/GND)
		29	24 V	Supply voltage (+24 V)
		30	24 V	Supply voltage (+24 V)
3	Digital outputs	31	24V o DO	Supply voltage (+24 V)
		32	GND o DO	Reference potential (0 V / GND) of the digital outputs
		33	DO 1	Digital output 1 (+24 V, 500 mA)
		34	DO 2	Digital output 2 (+24 V, 500 mA)
		35	GND o DO	Reference potential (0 V / GND) of the digital outputs
		36	GND o DO	Reference potential (0 V / GND) of the digital outputs
4	Diagnosis	RJ12 - 1	RS485_A	Data cable RS485
		RJ12 - 2	RS485_B	Data cable RS485
		RJ12 - 3	GND	Reference potential (GND)
		RJ12 - 4	RS232_TxD	Data cable RS232
		RJ12 - 5	RS232_RxD	Data cable RS232
		RJ12 - 6	24 V	Supply voltage (+24 V)



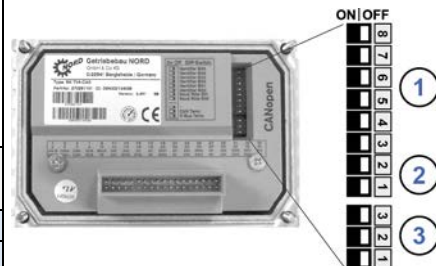
### Connection examples



### Configuration

The bus address (node ID), the bus interface (1) and the baud rate (2) are set via the DIP switches. The DIP switch setting results in the node identifier, which is read in after a “Power On” of the bus interface. If the bus interface is the final subscriber on the CANopen field bus or the NORD system bus, the terminating resistor (3) must be activated.

DIP switch	Meaning	Department	Meaning
8	Identifier bit 5	Addressing	Bus address (Node ID) of bus interface
7	Identifier bit 4		
6	Identifier bit 3		
5	Identifier bit 2		
4	Identifier bit 1		
3	Identifier bit 0	Baud rate	Bus interface baud rate
2	Baud rate bit 1		
1	Baud rate bit 0	Bus terminal	Not used
3	—		Termination resistor for CANopen field bus
2	CAN Term.		Termination resistor for NORD system bus
1	S-Bus Term.		



Factory settings DIP switches: **OFF**

#### 1. Addressing (DIP 8 ... 3)

The setting of the node ID takes place with binary coding using DIP switches 8...3. Address area "1"..."63".

#### 2. Baud rate (DIP 2 ... 1)

The setting of the node ID takes place with binary coding using DIP switches 2...1.

DIP switch 2	DIP switch 1	Baud rate
OFF	OFF	125 kBaud
OFF	ON	250 kBaud
ON	OFF	500 kBaud
ON	ON	1 MBaud

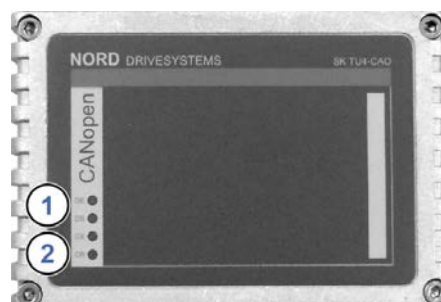
#### 3. Termination resistor (DIP 3... 1)

Set DIP switch 2 to the “ON” position if the bus interface is the final subscriber on the field bus. Set DIP switch 1 to the “ON” position if the bus interface is the final subscriber on the NORD system bus.

## LED indicators

The operating statuses of the bus interface are visualised using LED indicators.

No.	Name	Colour	Meaning
1	EN	red	Device error
	DS	green	Device State
2	CE	red	CANopen Error
	CR	green	CANopen State



### CANopen-specific LED

CR (CANopen State)	Meaning
<b>OFF</b>	No operating voltage, initialisation
<b>Flashing green (1 s)</b>	CANopen operating state "stopped"
<b>Flashing green (0.5 s)</b>	CANopen operating state "pre-operational"
<b>Flashing green (0.25 s)</b>	No other subscribers on the bus or wiring defective (only if the "CE" LED is flashing)
<b>Green ON</b>	CANopen operating state "operational"

CE (CANopen Error)	Meaning
<b>OFF</b>	No error
<b>Flashing red</b>	Bus warning, error counter of the CANopen controller has reached or exceeded the warning limit. → Check wiring / shielding / termination resistors.
	CANopen error → there is no physical connection to another subscriber
<b>Red ON</b>	CANopen controller disconnected from bus, since a serious error has occurred such as <ul style="list-style-type: none"> <li>• Wiring error</li> <li>• Incorrect baud rate set</li> </ul>

## NORD-specific LEDs

DS (Device State)	DE (Device Error)	Meaning long flashing = 0.5 s on / 1 s off short flashing = 0.25 s on / 1 s off
OFF	OFF	Bus interface not ready, no control voltage
ON	OFF	Bus interface ready, no error, at least one frequency inverter is communicating via the system bus
ON	Short flashing	Bus interface ready, but <ul style="list-style-type: none"> <li>• One or more of the connected frequency inverters has fault status</li> </ul>
Long flashing	OFF	Bus interface ready and at least one other subscriber is connected to the system bus, but <ul style="list-style-type: none"> <li>• No frequency inverter on the system bus (or connection interrupted)</li> <li>• One or more system bus subscriber has an address error</li> <li>• Software incompatible (bus interface software and FI software incompatible - update required)</li> </ul>
Long flashing	Short flashing Flash interval 1 x - 1s pause	System bus is in status "Bus Warning" <ul style="list-style-type: none"> <li>• Communication on system bus disrupted</li> <li>• No other subscribers present on system bus</li> <li>• Module not inserted correctly or no connection to system bus</li> <li>• Frequency inverter has no supply voltage</li> </ul>
Long flashing	Short flashing Flash interval 2 x - 1s pause	System bus is in status "Bus Off" <ul style="list-style-type: none"> <li>• The system bus 24 V power supply has been interrupted during operation</li> </ul>
Long flashing	Short flashing Flash interval 3 x - 1s pause	System bus is in status "Bus Off" <ul style="list-style-type: none"> <li>• The 24V voltage supply of the system bus is missing</li> </ul>
Long flashing	Short flashing Flash interval 4 x - 1s pause	Bus interface error <ul style="list-style-type: none"> <li>• See parameter P170</li> </ul>
OFF	Short flashing Flash interval 1...7 - 1s pause	System error, internal program sequence interrupted <ul style="list-style-type: none"> <li>• EMC interference (observe the wiring guidelines!)</li> <li>• Bus interface defective</li> </ul>

### Parameter access and diagnosis

The NORDCON software or optional control units such as the SK PAR-3H ParameterBox provide convenient access to the parameters of the bus interface and allow status information to be read out. In addition, the NORDCON *APP* – in connection with the NORDAC *ACCESS BT* Bluetooth stick – offers a practical way of mobile and wireless maintenance as well as commissioning of NORD frequency inverters.

Access is via the RJ12 diagnostics socket of the frequency inverter. The prerequisite for this is that the bus interface is connected to the frequency inverter via the system bus.

Direct access via the RJ12 diagnostic socket of the bus connection unit is also possible.

### Further documentation and software ([www.nord.com](http://www.nord.com))

Software	Description
<a href="#">EDS-file</a>	Electronic Data Sheet (Object data file)

Software	Description
<a href="#">NORDCON</a>	Parametrisation and diagnostic software

Document	Description
<a href="#">BU 0000</a>	Description of NORDCON software
<a href="#">BU 0040</a>	Parameter box manual
<a href="#">BU 0180</a>	Frequency inverter manual NORDAC <i>BASE</i>
<a href="#">BU 0200</a>	Frequency inverter manual NORDAC <i>FLEX</i>
<a href="#">BU 0250</a>	Frequency inverter manual NORDAC <i>LINK</i>
<a href="#">BU 2500</a>	CANopen bus communication manual

Document	Description
<a href="#">TI 275280000</a>	Bus connection unit SK TI4-TU-BUS
<a href="#">TI 275274505</a>	SK TIE4-M12-SYSS System bus connection expansion exit
<a href="#">TI 275274506</a>	SK TIE4-M12-SYSS System bus connection expansion entrance
<a href="#">TI 275274515</a>	SK TIE4-M12-CAO-OUT CANopen connection expansion output
<a href="#">TI 275274501</a>	SK TIE4-M12-CAO CANopen connection expansion entrance