

SK TIE4-HAN10E-M2B-LE

Power input connection extension

Part number: 275 135 000



Scope of delivery

1 x	Housing attachment HAN 10B with plastic cap
1 x	Contact insert HAN 10ES
3 x	Connecting line
1 x	Earthing line
<i>Accessories required:</i>	
1 x	SK TIE4-adapter kit-HAN



Field of use

Connection extension for plug-in mains voltage connection (power input) directly on the inverter (or connection unit) or on the motor terminal box. The Harting plug connector is equipped with 10 contacts (+PE) and has a 2-clamp locking system.

An additional spacer plate (SK TIE4-Adapter kit-HAN, Part No.: 275 274 100) is required for mounting on an inverter (or motor).



Technical Information / Datasheet	SK TIE4-HAN10E-M2B-LE			
Connection extension	TI 275135000	V 1.1	2314	EN

Technical data

Plug connector type	Harting HAN 10E
Number of contacts	10 +PE
Cable cross-section Power side	0.14 ... 2.5 mm ²
Contact insert	Pin insert (M)
Version	2 clamp Cage-clamp terminals
Protection class	IP65
Rated current	16 A
Rated voltage	500 V

Connections

HAN 10E PIN	Potential	SK 135E ... 175E Terminal	SK 180E ... 190E Terminal	SK 2xxE Terminal
1	L1	L1	L1	L1
2	L2	L2	L2	L2
3	L3	L3	L3	L3
PE	PE	PE	PE	PE

Optional accessories (not contained in the article)

Power plug connector HAN 10E (socket) - (Counterpart to installed plug connector)

Number	Designation	Manufacturer	Information
1 x	Sleeve housing HAN B, size 10B, for clamp	Harting	e.g. Harting order number: 19 30 010 0427 (straight cable outlet)
1 x	Contact insert HAN 10ES (socket insert)	Harting	Harting order number: 09 33 010 2716
1 x	Plastic cable gland	Harting	e.g. Harting order number: 19 00 000 5196 (M32 – 18...25 mm)

Additional documentation and software (www.nord.com)

Document	Designation
BU 0135	Manual for Motor Starters SK 135E, SK 175E
BU 0180	Manual for Frequency Inverters SK 180E, SK 190E
BU 0200	Manual for Frequency Inverters SK 2xxE
TI 275274100	Technical Information SK TIE4-adapter kit-HAN

SK TIE4-HAN10E-M2B-LA

Power output connection extension

Part number: 275 135 010



Scope of delivery

1 x	Housing attachment HAN 10B with plastic cap
1 x	Contact insert HAN 10ES
3 x	Connecting line
1 x	Earthing line
<i>Accessories required:</i>	
1 x	SK TIE4-adapter kit-HAN



Field of use

Connection extension for plug-in mains voltage supply (power output) and for transfer (looping) of the mains voltage to the next inverter (or motor) The Harting plug connector is equipped with 10 contacts (+PE) and has a 2-clamp locking system.

A separate plug connector (e.g. SK TIE4-HAN10E-M2B-LE) must be selected for the plug connector for the incoming voltage supply (power input) from the mains (or upstream inverter).

An additional spacer plate (SK TIE4-Adapter kit-HAN, Part No.: 275 274 100) is required for mounting on an inverter (or motor).



Technical Information / Datasheet	SK TIE4-HAN10E-M2B-LA			
Connection extension	TI 275135010	V 1.1	2314	EN

Technical data

Plug connector type	Harting HAN 10E
Number of contacts	10 +PE
Cable cross-section Power side	0.14 ... 2.5 mm ²
Contact insert	Socket insert (F)
Version	1x clamp Cage-clamp terminals
Protection class	IP65
Rated current	16 A
Rated voltage	500 V

Connections

HAN 10E PIN	Potential	SK 135E ... 175E Terminal	SK 180E ... 190E Terminal	SK 2xxE Terminal
1	L1	L1	L1	L1
2	L2	L2	L2	L2
3	L3	L3	L3	L3
PE	PE	PE	PE	PE

Optional accessories (not contained in the article)

Power plug connector HAN 10E (plug connector) – (counterpart to attached socket)

Number	Designation	Manufacturer	Information
1 x	Sleeve housing HAN B, size 10B, for clamp	Harting	e.g. Harting order number: 19 30 010 0427 (straight cable outlet)
1 x	Contact insert HAN 10ES (pin insert)	Harting	Harting order number: 09 33 010 2616
1 x	Plastic cable gland	Harting	e.g. Harting order number: 19 00 000 5196 (M32 – 18...25 mm)

Additional documentation and software (www.nord.com)

Document	Designation
BU 0135	Manual for Motor Starters SK 135E, SK 175E
BU 0180	Manual for Frequency Inverters SK 180E, SK 190E
BU 0200	Manual for Frequency Inverters SK 2xxE
TI 275274100	Technical Information SK TIE4-adapter kit-HAN

SK TIE4-HAN10E-M2B-MA

Motor outlet connection extension

Part number: 275 135 020



Scope of delivery

1 x	Housing attachment HAN 10B with plastic cap
1 x	Contact insert HAN 10ES
7 x	Connecting line
1 x	Earthing line
<i>Accessories required:</i>	
1 x	SK TIE4-adapter kit-HAN



Field of use

Connection extension for a plug-in motor outlet (power supply) to make the connection to the motor from an inverter which is mounted near to the motor (e.g. wall-mounted). The Harting plug connector is equipped with 10 contacts (+PE) and has a 2-clamp locking system.

For the incoming, plug-in connection of the power supply (power input) from the mains (or upstream inverter) a separate plug connector (e.g. SK TIE4-HAN10E-M2B-LE) must be selected.

An additional spacer plate is required for mounting on an inverter SK TIE4-adapter kit-HAN, Part No.: 275 274 100).



Technical Information / Datasheet	SK TIE4-HAN10E-M2B-MA			
Connection extension	TI 275135020	V 1.1	2314	EN

Technical data

Plug connector type	Harting HAN 10E
Number of contacts	10 +PE
Cable cross-section Power side	0.14 ... 2.5 mm ²
Contact insert	Socket insert (F)
Version	2 clamp Cage-clamp terminals
Protection class	IP65
Rated current	16 A
Rated voltage	500 V

Connections

HAN 10E PIN	Potential	SK 135E ... 175E Terminal	SK 180E ... 190E Terminal	SK 2xxE Terminal
1	U	U	U	U
2	V	V	V	V
3	W	W	W	W
PE	PE	PE	PE	PE
4	Electromagnetic brake +	79	79*	79 **
5	Electromagnetic brake -	80	80*	80 **
9	Temperature sensor +	38	38	38
10	Temperature sensor -	39	39	39

* For the control of an electromechanical brake, an electronic brake rectifier SK CU4-MBR is required.

** Sizes I to III of the SK 2x0E are not equipped with a connection terminal for an electromechanical brake (CU4-MBR, optional).

Optional accessories (not contained in the article)

Power plug connector HAN 10E (pin) - (Counterpart to the installed socket)

Number	Designation	Manufacturer	Information
1 x	Sleeve housing HAN B, size 10B, for clamp	Harting	e.g. Harting order number: 19 30 010 0427 (straight cable outlet)
1 x	Contact insert HAN 10ES (pin insert)	Harting	Harting order number: 09 33 010 2616
1 x	Plastic cable gland	Harting	e.g. Harting order number: 19 00 000 5196 (M32 – 18...25 mm)

Additional documentation and software (www.nord.com)

Document	Designation
BU 0135	Manual for Motor Starters SK 135E, SK 175E
BU 0180	Manual for Frequency Inverters SK 180E, SK 190E
BU 0200	Manual for Frequency Inverters SK 2xxE
TI 275274100	Technical Information SK TIE4-adapter kit-HAN

SK TIE4-HANQ8-K-LE-MX

Power input connection extension

Part number: 275 135 030



Scope of delivery

1 x	Housing attachment HAN-Compact with plastic cap
1 x	Contact insert HAN Q8/0
3 x	Connecting line
1 x	Earthing line
1 x	Adapter plate
<i>Accessories required:</i>	
1 x	SK TIE4-adapter kit-HAN



Field of use

Connection extension for plug-in mains voltage connection (power input) directly mounted on the inverter (or connection unit) or on the motor terminal box. The Harting plug connector is equipped with 8 contacts (+PE) and has a 1-clamp locking system. An additional M16 threaded hole is available.

An additional spacer plate is required for mounting on an inverter (SK TIE4-adapter kit-HAN, Part No.: 275 274 100).



Technical Information / Datasheet		SK TIE4-HANQ8-K-LE-MX			
Connection extension		TI 275135030	V 1.2	3614	EN

Technical data

Plug connector type	Harting HAN Q8/0
Number of contacts	8 +PE
Cable cross-section	0.14 ... 4 mm ²
Contact insert	Pin insert (M)
Protection class	IP65
Rated current	16 A
Rated voltage	500 V

Connections

HAN Q8/0 PIN	Potential	SK 135E ... 175E Terminal	SK 180E ... 190E Terminal	SK 2xxE Terminal
1	L1	L1	L1	L1
2	L2	L2	L2	L2
3	L3	L3	L3	L3
PE	PE	PE	PE	PE

Optional accessories (not contained in the article)

Power plug connector HAN Q8/0 (female) - (Counterpart to the installed plug connector)

Number	Designation	Manufacturer	Information
1 x	Sleeve housing, HAN-Compact	Harting	e.g. Harting order number: 19 12 008 0429 (straight cable outlet)
1 x	Contact insert HAN Q8/0 (socket insert)	Harting	Harting order number: 09 12 008 3101
4 x	Crimp contact socket 1.5 mm ²	Harting	Harting order number: 09 33 000 6204
1 x	HAN-Compact Half cable gland	Harting	e.g. Harting order number: 19 12 000 5158 (M25 – 14...17 mm)

Additional documentation and software (www.nord.com)

Document	Designation
BU 0135	Manual for Motor Starters SK 135E, SK 175E
BU 0180	Manual for Frequency Inverters SK 180E, SK 190E
BU 0200	Manual for Frequency Inverters SK 2xxE
TI 275274100	Technical Information SK TIE4-adapter kit-HAN

SK TIE4-HANQ8-K-LA-MX

Power output connection extension

Part number: 275 135 040



Scope of delivery

1 x	Housing attachment HAN-Compact with plastic cap
1 x	Contact insert HAN Q8/0
3 x	Connecting line
1 x	Earthing line
1 x	Adapter plate
<i>Accessories required:</i>	
1 x	SK TIE4-adapter kit-HAN



Field of use

Connection extension with a plug-in mains supply (power output) is for looping from one inverter (or motor) to the next. The Harting plug connector is equipped with 8 contacts (+PE) and has a 1-clamp locking system. An additional M16 threaded hole is available.

A separate plug connector (e.g. SK TIE4-HANQ8-K-LE-MX) should be selected for the incoming voltage supply (power input) from the mains (or upstream inverter).

An additional spacer plate is required for mounting on an inverter (SK TIE4-adapter kit-HAN, Part No.: 275 274 100).



Technical Information / Datasheet	SK TIE4-HANQ8-K-LA-MX			
Connection extension	TI 275135040	V 1.2	3614	EN

Technical data

Plug connector type	Harting HAN Q8/0
Number of contacts	8 +PE
Cable cross-section Power side	0.14 ... 4 mm ²
Contact insert	Socket insert (F)
Protection class	IP65
Rated current	16 A
Rated voltage	500 V

Connections

HAN Q8/0 PIN	Potential	SK 135E ... 175E Terminal	SK 180E ... 190E Terminal	SK 2xxE Terminal
1	L1	L1	L1	L1
2	L2	L2	L2	L2
3	L3	L3	L3	L3
PE	PE	PE	PE	PE

Optional accessories (not contained in the article)

Power plug connector HAN Q8/0 (male) - (Counterpart to the installed socket)

Number	Designation	Manufacturer	Information
1 x	Sleeve housing, HAN-Compact	Harting	e.g. Harting order number: 19 12 008 0429 (straight cable outlet)
1 x	Contact insert HAN Q8/0 (pin insert)	Harting	Harting order number: 09 12 008 3001
4 x	Crimp contact socket 1.5 mm ²	Harting	Harting order number: 09 33 000 6104
1 x	HAN-Compact Half cable gland	Harting	e.g. Harting order number: 19 12 000 5158 (M25 – 14...17 mm)

Additional documentation and software (www.nord.com)

Document	Designation
BU_0135	Manual for Motor Starters SK 135E, SK 175E
BU_0180	Manual for Frequency Inverters SK 180E, SK 190E
BU_0200	Manual for Frequency Inverters SK 2xxE
TI_275274100	Technical Information SK TIE4-adapter kit-HAN

SK TIE4-HANQ8-K-MA-MX

Motor outlet connection extension

Part number: 275 135 050



Scope of delivery

1 x	Housing attachment HAN-Compact with plastic cap
1 x	Contact insert HAN Q8/0
7 x	Connecting line
1 x	Earthing line
1 x	Adapter plate
4 x	Contact plate for M4
4 x	Cap screw DIN 6912 M4x10
1 x	Seal HAN 10E 200533500
<i>Accessories required:</i>	
1 x	SK TIE4-adapter kit-HAN



Field of use

Connection extension for a plug-in motor outlet (power supply) to make the connection to the motor from an inverter which is mounted near to the motor (e.g. wall-mounted). The Harting plug connector is equipped with 8 contacts (+PE) and has a 1-clamp locking system. An additional M16 x 1.5 threaded hole is available.

A separate plug connector (e.g. SK TIE4-HANQ8-K-LE-MX) must be selected for the plug connector for the incoming voltage supply (power input) from the mains (or upstream inverter).

An additional spacer plate is required for side mounting on an inverter SK TIE4-adapter kit-HAN, Part No.: 275 274 100).



Technical Information / Datasheet		SK TIE4-HANQ8-K-MA-MX			
Connection extension		TI 275135050	V 1.3	1815	EN

Technical data

Plug connector type	Harting HAN Q8/0
Number of contacts	8 +PE
Cable cross-section Power side	0.14 ... 4 mm ²
Contact insert	Socket insert (F)
Protection class	IP65
Rated current	16 A
Rated voltage	500 V

Connections

HAN Q8/0 PIN	Potential	SK 135E ... 175E Terminal	SK 180E ... 190E Terminal	SK 2xxE Terminal
1	U	U	U	U
7	V	V	V	V
3	W	W	W	W
PE	PE	PE	PE	PE
6	Electromagnetic brake +	79	79*	79 **
4	Electromagnetic brake -	80	80*	80 **
5	Temperature sensor +	38	38	38
8	Temperature sensor -	39	39	39

* For the control of an electromechanical brake, an electronic brake rectifier SK CU4-MBR is required.

** Sizes I to III of the SK 2xxE are not equipped with a connection terminal for an electromechanical brake (SK CU4-MBR, optional).

Optional accessories (not contained in the article)

Power plug connector HAN Q8/0 (male) - (Counterpart to the installed socket)

Number	Designation	Manufacturer	Information
1 x	Sleeve housing, HAN-Compact	Harting	e.g. Harting order number: 19 12 008 0429 (straight cable outlet)
1 x	Contact insert HAN Q8/0 (pin insert)	Harting	Harting order number: 09 12 008 3001
8 x	Crimp contact socket 1.5 mm ²	Harting	Harting order number: 09 33 000 6104
1 x	HAN-Compact Half cable gland	Harting	e.g. Harting order number: 19 12 000 5158 (M25 – 14...17 mm)

Additional documentation and software (www.nord.com)

Document	Designation
BU 0135	Manual for Motor Starters SK 135E, SK 175E
BU 0180	Manual for Frequency Inverters SK 180E, SK 190E
BU 0200	Manual for Frequency Inverters SK 2xxE
TI 275274100	Technical Information SK TIE4-adapter kit-HAN

SK TIE4-HAN10E-M1B-LE

Part number: 275 135 070

Power input connection extension



Scope of delivery

1 x	Housing attachment HAN 10B with plastic cap
1 x	Contact insert HAN 10ES
3 x	Connecting line
1 x	Earthing line
<i>Accessories required:</i>	
1 x	SK TIE4-adapter kit-HAN



Field of use

Connection extension for plug-in mains voltage connection (power input) directly on the inverter (or connection unit) or on the motor terminal box. The Harting plug connector is equipped with 10 contacts (+PE) and has a single clamp locking system.

An additional spacer plate (SK TIE4-Adapter kit-HAN, Part No.: 275 274 100) is required for mounting on an inverter (or motor).



Technical Information / Datasheet	SK TIE4-HAN10E-M1B-LE			
Connection extension	TI 275135070	V 1.1	2314	EN

Technical data

Plug connector type	Harting HAN 10E
Number of contacts	10 +PE
Cable cross-section Power side	0.14 ... 2.5 mm ²
Contact insert	Pin insert (M)
Version	1x clamp Cage-clamp terminals
Protection class	IP65
Rated current	16 A
Rated voltage	500 V

Connections

HAN 10E PIN	Potential	SK 135E ... 175E Terminal	SK 180E ... 190E Terminal	SK 2xxE Terminal
1	L1	L1	L1	L1
2	L2	L2	L2	L2
3	L3	L3	L3	L3
PE	PE	PE	PE	PE

Optional accessories (not contained in the article)

Power plug connector HAN 10E (socket) - (Counterpart to installed plug.

Number	Designation	Manufacturer	Information
1 x	Sleeve housing, HAN B, size 10B, for clamp	Harting	e.g. Harting order number: 19 30 010 0447 (straight cable outlet)
1 x	Contact insert HAN 10ES (socket insert)	Harting	Harting order number: 09 33 010 2716
1 x	Plastic cable gland	Harting	e.g. Harting order number: 19 00 000 5196 (M32 – 18...25 mm)

Additional documentation and software (www.nord.com)

Document	Designation
BU 0135	Manual for Motor Starters SK 135E, SK 175E
BU 0180	Manual for Frequency Inverters SK 180E, SK 190E
BU 0200	Manual for Frequency Inverters SK 2xxE
TI 275274100	Technical Information SK TIE4-adapter kit-HAN

SK TIE4 Adapter Kit HAN

Part number: 275 274 100

Connection extension adapter

Scope of delivery

1 x	Adapter (spacer)
1 x	Gasket
2 x	Lead through grommet
4 x	Cylinder head screw with contact washer



Field of use

Spacer to enable the connection of connection extensions to the frequency inverter (connection unit or motor) if the contact insert protrudes too far into the housing.

Necessary accessory for standard power plug connectors, e.g. HAN10E, HANQ4 or HQ8.



Additional documentation and software (www.nord.com)

Document	Designation
BU_0135	Manual for Motor Starters SK 135E, SK 175E
BU_0180	Frequency Inverter Manual for SK 180E, SK 190E
BU_0200	Manual for Frequency Inverters SK 2xxE

Technical Information / Datasheet	SK TIE4-Adapterkit-HAN			
Connection extension	TI 275274100	V 1.1	2314	EN

SK TIE4-2HANQ5-K-LE-LA

Part number: 275 274 110

Connection extension power input / outlet



Scope of delivery

1 x	Adapter plate with seal
2 x	Housing attachment HAN 3A with plastic cap
1 x	Socket insert (F) HAN Q5/0
1 x	Pin insert (M) HAN Q5/0
1 x	Cable kit

Accessories required:

1 x	SK TD-KIT-1 (valid only for SK 1xxE)
-----	--------------------------------------



Field of use

Connection extension with plug-in mains connection (power input) and an output for looping (power output to next inverter / motor). Five power connections (+PE) are available.



Technical Information / Datasheet	SK TIE4-2HANQ5-K-LE-LA			
Connection extension	TI 275274110	V 1.1	2216	EN

Technical data

Plug connector type	HAN Q5 (pin)
Number of contacts	5 +PE
Cable cross-section	0.5 ... 2.5 mm ²
Rated current	16 A
Rated voltage	400 V
Contact insert	Pin insert (M)
Version	90° angled plug connector
Protection class	IP65

Plug connector type	HAN Q5 (socket)
Number of contacts	5 +PE
Cable cross-section	0.5 ... 2.5 mm ²
Rated current	16 A
Rated voltage	400 V
Contact insert	Socket insert (F)
Version	90° angled plug connector
Protection class	IP65

Connections

HAN Q5 PIN	Potential	SK 135E ... 175E Terminal	SK 180E ... 190E Terminal	SK 2xxE Terminal
1	L1	L1	L1	L1
2	L2	L2	L2	L2
3	L3	L3	L3	L3
PE	PE	PE	PE	PE

Optional accessories (not contained in the article)

HAN Q5 (female) - (Counterpart to installed plug connector)

Number	Designation	Manufacturer	Information
1 x	Sleeve housing, HAN-A	Harting	e.g. Harting order number: 19 20 003 1440
1 x	HAN Q5/0-F-QL Quick-Lock	Harting	Harting order number: 09 12 005 2733
1 x	HAN 3A fastening screw	Harting	Harting order number: 09 20 000 9918
1 x	Cable gland SKINDICHT SKZ-M M20 x 1.5, 13-15 mm	LAPP Kabel	52106830

HAN Q5 (male) - (Counterpart to the installed socket)

Number	Designation	Manufacturer	Information
1 x	Sleeve housing, HAN-A	Harting	e.g. Harting order number: 19 20 003 1440
1 x	HAN Q5/0-M-QL Quick-Lock	Harting	Harting order number: 09 12 005 2633
1 x	HAN 3A fastening screw	Harting	Harting order number: 09 20 000 9918
1 x	Cable gland SKINDICHT SKZ-M M20 x 1.5, 13-15 mm	LAPP Kabel	52106820

Additional documentation and software (www.nord.com)

Document	Designation
BU 0135	Manual for Motor Starters SK 135E, SK 175E
BU 0180	Frequency Inverter Manual for SK 180E, SK 190E
BU 0200	Manual for Frequency Inverters SK 2xxE
TI 275274031	Technical Information SK TD-KIT-1

SK TIE4-HANQ5-K-LE-MX

Terminal Extension Power Input

Part number: 275 274 111



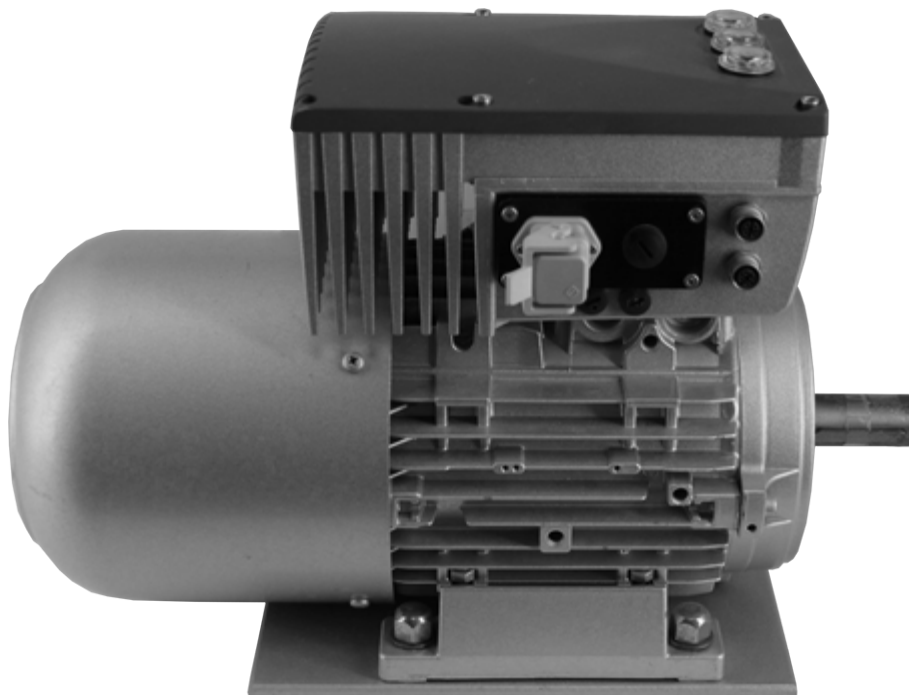
Scope of supply

1 x	Adapter plate with gasket
1 x	Mounting enclosure HAN 3A with plastic cap
1 x	Pin insert (M) HAN Q5/0
1 x	Cable set HANQ5-LE
1 x	Blind plug
4 x	Cylinder head screw M4x12 with contact washer



Application

Connection extension with a plug-in mains connection (power input), directly mounted on the frequency inverter (or motor adapter) or motor terminal box with power connector, type HAN Q5. Three power pins (+PE) and one additional M16 threaded hole are available.



Technical Information / Datasheet	SK TIE4-HANQ5-K-LE-MX			
Connection extension	TI 275274111	V 1.0	0217	EN

Technical Data

Plug type	HAN Q5 (Male)
Contact quantity	5 +PE
Conductor cross-section	0.5 ... 2.5 mm ²
Rated current	16 A
Rated voltage	400 V
Contact insert	Pin insert (M)
Format	Plug 90° offset
Protection degree	IP65

Connection

HAN Q5 PIN	Potential	SK 135E ... 175E Terminal	SK 180E ... 190E Terminal	SK 2xxE Terminal
1	L1		L1	
2	L2		L2	
3	L3		L3	
PE	PE		PE	

Optional Accessories (not included in scope of supply)

HAN Q5 (Female) – (Mating socket for the used plug)

Quantity	Identification	Manufacturer	Information
1 x	Connector housing HAN-A	Harting	e.g. Harting order number: 19 20 003 1440
1 x	HAN Q5/0-F-QL Quick-Lock	Harting	Harting order number: 09 12 005 2733
1 x	HAN 3A fixing screw	Harting	Harting order number: 09 20 000 9918
1 x	Cable gland type SKINDICHT SKZ-M M20 x 1.5, 13-15 mm	LAPP Cable	52106830

Additional documentation and software (www.nord.com)

Document	Designation
BU 0135	Manual for Motor Starters SK 135E, SK 175E
BU 0180	Frequency Inverter Manual for SK 180E, SK 190E
BU 0200	Manual for Frequency Inverters SK 2xxE

SK TIE4-2HANQ4-M-LE-LA

Part number: 275 274 112

Connection extension power input / outlet
and 24 V DC input / outlet



Scope of delivery

1 x	Adapter plate with seal
2 x	Housing attachment HAN-Compact with plastic cap
1 x	Socket insert (M) HAN Q4/2
1 x	Pin insert (M) HAN Q4/2
1 x	Cable kit
Accessories required:	
1 x	SK TIE4-adapter kit-HAN
1 x	SK TD-KIT-1 (valid only for SK 1xxE)



Field of use

Connection extension with a plug-in mains voltage connection (power input) and for looping (power output) power and control signals to the next inverter or motor. Four power connections (+PE) and 2 signal connections are available.

Alternatively can be integrated the power supply of the control voltage (24V DC) into the system via signal contacts.

An additional spacer plate is required for mounting on an inverter (or motor) (SK TIE4-adapter kit-HAN, Part No.: 275 274 100).



Technical Information / Datasheet		SK TIE4-2HANQ4-M-LE-LA			
Connection extension		TI 275274112	V 1.3	1017	EN

Technical data

Plug connector type	HAN-Q4/2 (pin)
Number of contacts	4/2 +PE
Cable cross section, power side	4 mm ²
Rated current, power side	32 A
Rated voltage, power side	400 V
Cable cross section, signal side	0.75 mm ²
Rated current, signal side	6 A
Rated voltage, signal side	250 V
Contact insert	Pin insert (M)
Version	straight
Protection class	IP65

Plug connector type	HAN-Q4/2 (socket)
Number of contacts	4/2 +PE
Cable cross section, power side	4 mm ²
Rated current, power side	32 A
Rated voltage, power side	400 V
Cable cross section, signal side	0.75 mm ²
Rated current, signal side	6 A
Rated voltage, signal side	250 V
Contact insert	Socket insert (F)
Version	straight
Protection class	IP65

Connections

HAN-Q4/2 PIN	Potential	SK 135E ... 175E Terminal	SK 180E ... 190E Terminal	SK 2xxE Terminal
1	L1	L1	L1	L1
2	L2	L2	L2	L2
3	L3	L3	L3	L3
11	24 V	44	44 *	44 *
12	GND	40	40 *	40 *
PE	PE	PE	PE	PE

* For the SK 2x0E / SK 180E series, an optional bus module can be supplied with an external 24V power supply using this plug connector system.

Optional accessories (not contained in the article)

The following accessories are recommended by NORD but can't be obtained from NORD.

Hybrid plug connector HAN Q4/2 (female) - (Counterpart to the installed plug connector system)

Number	Designation	p/n	Information
1 x	Sleeve housing, HAN-Compact	201045300	straight cable outlet, M25 (19 12 008 0429)
1 x	Contact insert HAN Q4/2 (female)	201036100	(09 12 006 3141)
4 x	Crimp contact socket (female) 4mm ²		(09 32 000 6207)
2 x	Crimp contact socket (female) 0.75mm ²	18550184	(09 15 000 6205)
1 x	HAN-Compact Half cable gland	201045800	M25 – 14...17mm (19 12 000 5158)

Hybrid plug connector HAN Q4/2 (male) - (Counterpart to the installed plug connector system)

Number	Designation	p/n	Information
1 x	Sleeve housing, HAN-Compact	201045300	straight cable outlet, M25 (19 12 008 0429)
1 x	Contact insert HAN Q4/2 (male)	201036200	(09 12 006 3041)
4 x	Crimp contact socket (male) 4mm ²		(09 32 000 6107)
2 x	Crimp contact socket (male) 0.75mm ²		(09 15 000 6105)
1 x	HAN-Compact Half cable gland	201045800	M25 – 14...17mm (19 12 000 5158)

Additional documentation and software (www.nord.com)

Document	Designation
BU 0135	Manual for Motor Starters SK 135E, SK 175E
BU 0180	Manual for Frequency Inverters SK 180E, SK 190E
BU 0200	Manual for Frequency Inverters SK 2xxE
TI 275274100	Technical Information SK TIE4-adapter kit-HAN
TI 275274031	Technical Information SK TD-KIT-1

SK TIE4-HANQ4-M-LE-MX

Part number: 275 274 113

Power input connection extension / 24 DC input



Scope of supply

1 x	Adapter plate with seal
1 x	Housing attachment HAN-Compact with plastic cap
1 x	Pin insert (M) HAN Q4/2
1 x	Cable kit
<i>Accessories required:</i>	
1 x	SK TIE4-adapter kit-HAN



Field of use

Connection extension with a plug-in mains voltage connection (power input) directly mounted on the inverter (or motor adapter) or on the motor terminal box with a HAN Q4/2 plug connector. Four power connections (+PE), 2 signal connections and an M16 threaded hole is available.

In addition to the power supply, the control voltage (24V DC) can be integrated into the system and connected.

An additional spacer plate is required for mounting on an inverter (motor adapter or motor) (SK TIE4-adapter kit-HAN, Part No.: 275 274 100).



Technical Information / Datasheet	SK TIE4-HANQ4-M-LE-MX			
Connection extension	TI 275274113	V 1.3	0718	en

Technical data

Plug connector type	HAN Q4/2
Number of contacts	4/2 +PE
Cable cross section, power side	4 mm ²
Rated current, power side	16 A
Rated voltage, power side	400 V
Cable cross section, signal side	0.75 mm ²
Rated current, signal side	4 A
Rated voltage, signal side	250 V
Contact insert	Pin insert (M)
Version	straight
Protection class	IP65

Connections

HAN Q4/2 PIN	Potential	SK 135E ... 175E Terminal	SK 180E ... 190E Terminal	SK 2xxE Terminal
1	L1	L1	L1	L1
2	L2	L2	L2	L2
3	L3	L3	L3	L3
11	24 V	44	44 *	44 *
12	GND	40	40 *	40 *
PE	PE	PE	PE	PE

* For the SK 2x0E / SK 180E series, an optional bus module can be supplied with an external 24V power supply using this plug connector system.

Optional accessories (not contained in the article)

Hybrid plug connector HAN Q4/2 (female) - (Counterpart to the installed socket)

Number	Designation	Manufacturer	Information
1 x	Sleeve housing, HAN-Compact	Harting	Order number: 19 12 008 0429 (straight cable outlet, M25)
1 x	Contact insert HAN Q4/2 (socket)	Harting	Order number: 09 12 006 3141
4 x	Crimp contact socket 4mm ²	Harting	Order number: 09 32 000 6207
2 x	Crimp contact socket 0.75mm ²	Harting	Order number: 09 15 000 6205
1 x	HAN-Compact Half cable gland	Harting	Order number: 19 12 000 5158 (M25 – 14...17mm)

Additional documentation and software (www.nord.com)

Document	Designation
BU 0135	Manual for Motor Starters SK 135E, SK 175E
BU 0180	Manual for Frequency Inverters SK 180E, SK 190E
BU 0200	Manual for Frequency Inverters SK 2xxE
TI 275274100	Technical Information SK TIE4-adapter kit-HAN

SK TIE4-HQ4+Q8-M-LE-MA

Connection extension power input / motor outlet

Part number: 275 274 114



Scope of delivery

1 x	Adapter plate with seal
2 x	Housing attachment HAN-Compact with plastic cap
1 x	Contact insert HAN Q4/2 (pin)
1 x	Contact insert HAN Q8/0 (socket)
10 x	Connecting line
2 x	Earthing line
<i>Accessories required:</i>	
1 x	SK TIE4-adapter kit-HAN



Field of use

Connection extension with a plug-in mains connection (power input, type HANQ4/2) and a motor outlet (power supply, type HANQ8/0) for connection of the motor to an inverter which is installed close to the motor (e.g. wall-mounted).

An additional spacer plate is required for mounting on an inverter (SK TIE4-adapter kit-HAN, Part No.: 275 274 100).



Technical Information / Datasheet	SK TIE4-HQ4+Q8-M-LE-MA			
Connection extension	TI 275274114	V 1.1	2314	EN

Technical data

Plug connector type	HAN-Q4/2 (pin)
Number of contacts	4/2 +PE
Cable cross section, power side	1.5 ... 6 mm ²
Rated current, power side	40 A
Rated voltage, power side	400 V
Cable cross section, signal side	0.14 ... 2.5 mm ²
Rated current, signal side	10 A
Rated voltage, signal side	250 V
Contact insert	Pin insert (M)
Version	straight
Protection class	IP65

Plug connector type	HAN-Q8 (socket)
Number of contacts	8 +PE
Cable cross section, power side	0.14 ... 4 mm ²
Rated current, power side	16 A
Rated voltage, power side	500 V
Cable cross section, signal side	-
Rated current, signal side	-
Rated voltage, signal side	-
Contact insert	Socket insert (F)
Version	straight
Protection class	IP65

Connections

HAN-Q4/2 PIN	Potential	SK 135E ... 175E Terminal	SK 180E ... 190E Terminal	SK 2xxE Terminal
1	L1	L1	L1	L1
2	L2	L2	L2	L2
3	L3	L3	L3	L3
PE	PE	PE	PE	PE

HAN Q8/0 PIN	Potential	SK 135E ... 175E Terminal	SK 180E ... 190E Terminal	SK 2xxE Terminal
1	U	U	U	U
7	V	V	V	V
3	W	W	W	W
PE	PE	PE	PE	PE
6	Electromagnetic brake +	79	79*	79 **
4	Electromagnetic brake -	80	80*	80 **
5	Temperature sensor +	38	38	38
8	Temperature sensor -	39	39	39

* For the control of an electromechanical brake, an electronic brake rectifier SK CU4-MBR is required.

** Sizes I to III of the SK 2x0E are not equipped with a connection terminal for an electromechanical brake (SK CU4-MBR, optional).

Optional accessories (not contained in the article)

Power plug connector HAN Q4/2 (socket) - (Counterpart to installed plug connector)

Number	Designation	Manufacturer	Information
1 x	Sleeve housing, HAN-Compact	Harting	e.g. Harting order number: 19 12 008 0429 (straight cable outlet, M25)
1 x	Contact insert HAN Q4/2 (socket)	Harting	Harting order number: 09 12 006 3141
4 x	Crimp contact socket 4mm ²	Harting	Harting order number: 09 32 000 6207
2 x	Crimp contact socket 0.75mm ²	Harting	Harting order number: 09 15 000 6205
1 x	HAN-Compact Half cable gland	Harting	e.g. Harting order number: 19 12 000 5158 (M25 – 14...17mm)

Power plug connector HAN Q8/0 (pin) - (Counterpart to the installed socket)

Number	Designation	Manufacturer	Information
1 x	Sleeve housing, HAN-Compact	Harting	e.g. Harting order number: 19 12 008 0429 (straight cable outlet)
1 x	Contact insert HAN Q8/0 (pin insert)	Harting	Harting order number: 09 12 008 3001
8 x	Crimp contact socket 1.5 mm ²	Harting	Harting order number: 09 33 000 6104
1 x	HAN-Compact Half cable gland	Harting	e.g. Harting order number: 19 12 000 5158 (M25 – 14...17 mm)

Additional documentation and software (www.nord.com)

Document	Designation
BU_0135	Manual for Motor Starters SK 135E, SK 175E
BU_0180	Manual for Frequency Inverters SK 180E, SK 190E
BU_0200	Manual for Frequency Inverters SK 2xxE
TI_275274100	Technical Information SK TIE4-adapter kit-HAN

SK TIE4-HANQ5+Q7-M-LE-IO

Connection extension for power / signal input

Part number: 275 274 115



Scope of delivery

1 x	Adapter plate with seal
2 x	Lead through grommet
2 x	Housing attachment HAN 3A with plastic cap
1 x	Pin insert (M) HAN Q5/0
1 x	Pin insert (M) HAN Q7/0
1 x	Cable kit
4 x	Cylinder head screw with contact washer



Field of use

Connection extension with a plug-in mains voltage connection (power input) and a plug-in signal connection. The power input is via a 5-pin plug connector (+PE) (Type: HAN Q5/0), the signal input is via a 7-pin plug connector (+PE) (Type: HAN Q7/0).



Technical Information / Datasheet	SK TIE4-HANQ5+Q7-M-LE-IO			
Connection extension	TI 275274115	V 1.0	2014	EN

Technical data

Plug connector type	HAN-Q5 (pin)
Number of contacts	5 +PE
Cable cross-section	0.5 ... 2.5 mm ²
Rated current	16 A
Rated voltage	400 V
Contact insert	Pin insert (M)
Version	90° angled plug connector
Protection class	IP65

Plug connector type	HAN-Q7 (pin)
Number of contacts	7 +PE
Cable cross-section	0.14 ... 2.5 mm ²
Rated current	10 A
Rated voltage	400 V
Contact insert	Pin insert (M)
Version	90° angled plug connector
Protection class	IP65

Connections

HAN-Q5 PIN	Potential	SK 135E ... 175E Terminal	SK 180E ... 190E Terminal	SK 2xxE Terminal
1	L1	L1	L1	L1
2	L2	L2	L2	L2
3	L3	L3	L3	L3
4	L	External fan	External fan	External fan
5	N	External fan	External fan	External fan
PE	PE	PE	PE	PE

HAN-Q7 PIN	Potential	SK 135E ... 175E Terminal	SK 180E ... 190E Terminal	SK 2xxE Terminal
1	24 V external	44	-	44 *
2	GND	40	40	40 *
3	DIN1, Digital Input 1	21	21	21 *
4	Analog Input 1	-	14	14 *
5	Analog Input 2	-	16	16 *
6	24V SH, "Safe stop"	-	-	89 *
7	GND SH	-	-	88*
PE	Shield	-	-	-

* Details of terminals if the signal inputs are present.

Optional accessories (not contained in the article)

HAN Q5 (socket) - (Counterpart to installed plug connector)

Number	Designation	Manufacturer	Information
1 x	Sleeve housing, HAN-A	Harting	e.g. Harting order number: 19 20 003 1440
1 x	HAN Q5/0-F-QL Quick-Lock	Harting	Harting order number: 09 12 005 2733
1 x	HAN 3A fastening screw	Harting	Harting order number: 09 20 000 9918
1 x	Cable gland SKINDICHT SKZ-M M20 x 1.5, 13-15 mm	LAPP Kabel	52106830

HAN Q7 (socket) - (Counterpart to installed plug connector)

Number	Designation	Manufacturer	Information
1 x	Sleeve housing, HAN-A	Harting	e.g. Harting order number: 19 20 003 1440
1 x	HAN Q7/0 socket insert	Harting	Harting order number: 09 12 007 3101
7 x	Crimp contact 1.5 mm ²	Harting	Harting order number: 09 15 000 6201
1 x	HAN 3A fastening screw	Harting	Harting order number: 09 20 000 9918
1 x	Cable gland SKINDICHT SKZ-M M20 x 1.5, 11-13 mm	LAPP Kabel	52106820

Additional documentation and software (www.nord.com)

Document	Designation
BU_0135	Manual for Motor Starters SK 135E, SK 175E
BU_0180	Frequency Inverter Manual for SK 180E, SK 190E
BU_0200	Manual for Frequency Inverters SK 2xxE

SK TIE4-HAN4A-K-LE-MX

Part number: 275 274 117

Power input connection extension



Scope of delivery

1 x	Adapter plate with seal
1 x	Housing attachment HAN 3A
1 x	Pin insert (M) HAN 4A
3 x	Connecting line
1 x	Earthing line



Field of use

Connection extension with a plug-in mains voltage connection (power input) directly mounted on the inverter (or motor adapter) or on the motor terminal box with a HAN 4A plug connector. Four power connections (+PE) and an M16 threaded hole is available.



Technical Information / Datasheet	SK TIE4-HAN4A-K-LE-MX			
Connection extension	TI 275274117	V 1.1	3614	EN

Technical data

Plug connector type	HAN 4A (pin)
Number of contacts	4 +PE
Cable cross-section	0.75 ... 2.5 mm ²
Rated current	10 A
Rated voltage	250 V
Contact insert	Pin insert (M)
Version	straight
Protection class	IP65

Connections

HAN 4A PIN	Potential	SK 135E ... 175E Terminal	SK 180E ... 190E Terminal	SK 2xxE Terminal
1	L1	L1	L1	L1
2	L2	L2	L2	L2
3	L3	L3	L3	L3
PE	PE	PE	PE	PE

Optional accessories (not contained in the article)

HAN 4A (female) - (Counterpart to the installed plug connector)

Number	Designation	Manufacturer	Information
1 x	Sleeve housing HAN 3 A	Harting	e.g. Harting order number: 19 20 003 1440
1 x	HAN 4A-F-QL 1,5 mm ² Quick-Lock	Harting	Harting order number: 09 20 004 2734
1 x	HAN 3A fastening screw	Harting	Harting order number: 09 20 000 9918
1 x	Cable gland SKINDICHT SKZ-M M20 x 1.5, 13-15 mm	LAPP Kabel	52106830

Additional documentation and software (www.nord.com)

Document	Designation
BU_0135	Manual for Motor Starters SK 135E, SK 175E
BU_0180	Frequency Inverter Manual for SK 180E, SK 190E
BU_0200	Manual for Frequency Inverters SK 2xxE

SK TIE4-HANQ5-K-LE-MX-AR3

Part number: 275 274 118

Terminal Extension Power Input



Scope of supply

1 x	Adapter plate with gasket
1 x	Mounting enclosure HAN 3A with plastic cap
1 x	Pin insert (M) HAN Q5/0
1 x	Cable set HANQ5-LE
1 x	Blind plug
4 x	Cylinder head screw M4x12 with contact washer



Application

Connection extension with a plug-in mains voltage connection (power input), directly mounted on the frequency inverter (or motor adapter) or on motor terminal box with power connector, type HAN Q5. Three power pins (+PE) and one additional M16 threaded hole are available.

HAN Q5 version, 90 ° angled construction, aligned in longitudinal direction to adapter plate.



Technical Information / Datasheet	SK TIE4-HANQ5-K-LE-MX-AR3			
Connection extension	TI 275274118	V 1.0	0217	EN

Technical Data

Plug type	HAN Q5 (Male)
Contact quantity	5 +PE
Conductor cross-section	0.5 ... 2.5 mm ²
Rated current	16 A
Rated voltage	400 V
Contact insert	Pin insert (M)
Format	Plug 90° offset
Protection degree	IP65

Connection

HAN Q5 PIN	Potential	SK 135E ... 175E Terminal	SK 180E ... 190E Terminal	SK 2xxE Terminal
1	L1		L1	
2	L2		L2	
3	L3		L3	
PE	PE		PE	

Optional Accessories (not included in scope of supply)

HAN Q5 (Female) – (Mating socket for the used plug)

Quantity	Identification	Manufacturer	Information
1 x	Connector housing HAN-A	Harting	e.g. Harting order number: 19 20 003 1440
1 x	HAN Q5/0-F-QL Quick-Lock	Harting	Harting order number: 09 12 005 2733
1 x	HAN 3A fixing screw	Harting	Harting order number: 09 20 000 9918
1 x	Cable gland type SKINDICHT SKZ-M M20 x 1.5, 13-15 mm	LAPP Cable	52106830

Additional documentation and software (www.nord.com)

Document	Designation
BU 0135	Manual for Motor Starters SK 135E, SK 175E
BU 0180	Frequency Inverter Manual for SK 180E, SK 190E
BU 0200	Manual for Frequency Inverters SK 2xxE

SK TIE4-2HANQ4-M-LE-LA-6MM2

Part number: 275 274 119

Connection extension power input / outlet
and 24 V DC input / outlet



Scope of delivery

1 x	Adapter plate with seal
2 x	Housing attachment HAN-Compact with plastic cap
1 x	Socket insert (M) HAN Q4/2
1 x	Pin insert (M) HAN Q4/2
1 x	Cable kit
Accessories required:	
1 x	SK TIE4-adapter kit-HAN
1 x	SK TD-KIT-1 (valid only for SK 1xxE)



Field of use

Connection extension with a plug-in mains voltage connection (power input) and for looping (power output) power and control signals to the next inverter or motor. Four power connections (+PE) and 2 signal connections are available.

Alternatively can be integrated the external power supply of control voltage (24V DC) into the system via signal contacts.

An additional spacer plate is required for mounting on an inverter (or motor) (SK TIE4-adapter kit-HAN, Part No.: 275 274 100).



Technical Information / Datasheet	SK TIE4-2HANQ4-M-LE-LA-6MM2			
Connection extension	TI 275274119	V 1.0	1017	EN

Technical data

Plug connector type	HAN-Q4/2 (pin)
Number of contacts	4/2 +PE
Cable cross section, power side	6 mm ²
Rated current, power side	40 A
Rated voltage, power side	400 V
Cable cross section, signal side	0.75 mm ²
Rated current, signal side	6 A
Rated voltage, signal side	250 V
Contact insert	Pin insert (M)
Version	straight
Protection class	IP65

Plug connector type	HAN-Q4/2 (socket)
Number of contacts	4/2 +PE
Cable cross section, power side	6 mm ²
Rated current, power side	40 A
Rated voltage, power side	400 V
Cable cross section, signal side	0.75 mm ²
Rated current, signal side	6 A
Rated voltage, signal side	250 V
Contact insert	Socket insert (F)
Version	straight
Protection class	IP65

Connections

HAN-Q4/2 PIN	Potential	SK 135E ... 175E Terminal	SK 180E ... 190E Terminal	SK 2xxE Terminal
1	L1	L1	L1	L1
2	L2	L2	L2	L2
3	L3	L3	L3	L3
11	24 V	44	44 *	44 *
12	GND	40	40 *	40 *
PE	PE	PE	PE	PE

* For the SK 2x0E / SK 180E series, an optional bus module can be supplied with an external 24V power supply using this plug connector system.

Optional accessories (not contained in the article)

Hybrid plug connector HAN Q4/2 (female) – SK MC BU HANQ4-K-LE-6MM2 p/n: 275 136 001
(Counterpart to the installed plug connector system)

Number	Designation	p/n	Information
1 x	Sleeve housing, HAN-Compact	201045300	straight cable outlet, M25 (19 12 008 0429)
1 x	Contact insert HAN Q4/2 (female)	201036100	(09 12 006 3141)
4 x	Crimp contact socket (female) 6mm ²	201045600	(09 32 000 6208)
2 x	Crimp contact socket (female) 0.75mm ²	18550184	(09 15 000 6205)
1 x	HAN-Compact Half cable gland	201045800	M25 – 14...17mm (19 12 000 5158)

Hybrid plug connector HAN Q4/2 (male) – SK MC ST HANQ4-K-LE-6MM2 p/n: 275 136 002
(Counterpart to the installed plug connector system)

Number	Designation	p/n	Information
1 x	Sleeve housing, HAN-Compact	201045300	straight cable outlet, M25 (19 12 008 0429)
1 x	Contact insert HAN Q4/2 (male)	201036200	(09 12 006 3041)
4 x	Crimp contact socket (male) 6mm ²	201045700	(09 32 000 6108)
2 x	Crimp contact socket (male) 0.75mm ²		(09 15 000 6105)
1 x	HAN-Compact Half cable gland	201045800	M25 – 14...17mm (19 12 000 5158)

Additional documentation and software (www.nord.com)

Document	Designation
BU 0135	Manual for Motor Starters SK 135E, SK 175E
BU 0180	Manual for Frequency Inverters SK 180E, SK 190E
BU 0200	Manual for Frequency Inverters SK 2xxE
TI 275274100	Technical Information SK TIE4-adapter kit-HAN
TI 275274031	Technical Information SK TD-KIT-1

SK TIE4-2XTEC_23-M-LE-LA

Connection extension for power / 24 V DC input and brake output

Part number: 275 274 120



Scope of delivery

1 x	Adapter plate for 2 X-TEC plug connector
1 x	X-TEC 23 plug connector
1 x	X-TEC 23 socket
1 x	Cable kit
<i>Accessories required:</i>	
1 x	Seals and screws



Field of use

Connection extension for a plug-in mains voltage connection (power input, plug connector: X-TEC 23), directly on the inverter (or connection unit) or on the motor terminal box and one plug-in connection for the electromagnetic brake (socket: X-TEC 23). Both plug connectors each have 3 power contacts (+PE) and 5 signal contacts.

In addition to the power supply, the control voltage (24V DC) can be integrated into the system and connected.



Technical Information / Datasheet	SK TIE4-2XTEC_23-M-LE-LA			
Connection extension	TI 275274120	V 1.1	2914	EN

Technical data

Plug connector type	X-TEC 23 (pin)
Number of contacts	3 +PE + 5
Cable cross section, power side	0.35 ... 2.5 mm ²
Rated current, power side	30 A
Rated voltage, power side	630 V
Cable cross section, signal side	0.5 ... 1.5 mm ²
Rated current, signal side	7 A
Rated voltage, signal side	63 V
Contact insert	Pin insert (M)
Version	angled
Protection class	IP67

Plug connector type	X-TEC 23 (socket)
Number of contacts	3 +PE + 5
Cable cross section, power side	0.35 ... 2.5 mm ²
Rated current, power side	30 A
Rated voltage, power side	630 V
Cable cross section, signal side	0.5 ... 1.5 mm ²
Rated current, signal side	7 A
Rated voltage, signal side	63 V
Contact insert	Socket insert (F)
Version	angled
Protection class	IP67

Connections

X-TEC 23 (pin) PIN	Potential	SK 135E ... 175E Terminal	SK 180E ... 190E Terminal	SK 2xxE Terminal
1	L1	L1	L1	L1
2	L2	L2	L2	L2
3	L3	L3	L3	L3
A	24 V	44	44 *	44 *
C	GND	40	40 *	40 *
PE	PE	PE	PE	PE

* For the SK 2x0E / SK 180E series, an optional bus module can be supplied with an external 24V power supply using this plug connector system.

X-TEC 23 (socket) PIN	Potential	SK 135E ... 175E Terminal	SK 180E ... 190E Terminal	SK 2xxE Terminal
1	Electromagnetic brake +	79	79*	79 **
2	Electromagnetic brake -	80	80*	80 **
PE	PE	PE	PE	PE

* For the control of an electromechanical brake, an electronic brake rectifier SK CU4-MBR is required.

** Sizes I to III of the SK 2x0E are not equipped with a connection terminal for an electromechanical brake (SK CU4-MBR, optional).

Optional accessories (not contained in the article)

Number	Designation	Manufacturer	Article no.
4 x	Cylinder head screw M5 x 12 DIN 912 VZ		22104120
4 x	Contact washer with cutting teeth for M4		200475000
1 x	Seal for 200E external technology unit		200841300

X-TEC connector (socket) - (Counterpart to installed plug connector)

Number	Designation	Manufacturer	Information
1 x	X-TEC 23 power plug connector Clamping range 7.5 ... 12 mm	lq group	lq group order number: 1116665-00000

X-TEC plug connector (pin) - (Counterpart to the installed socket)

Number	Designation	Manufacturer	Information
1 x	X-TEC 23 power plug connector Clamping range 7.5 ... 12 mm	lq group	lq group order number: 1116671-00000

Additional documentation and software (www.nord.com)

Document	Designation
BU_0135	Manual for Motor Starters SK 135E, SK 175E
BU_0180	Frequency Inverter Manual for SK 180E, SK 190E
BU_0200	Manual for Frequency Inverters SK 2xxE

SK TIE4-HAN10E-M1B-MA

Part number: 275 274 122

Motor outlet connection extension



Scope of delivery

1 x	Housing attachment HAN 10B
1 x	Contact insert HAN 10ES
7 x	Connecting line
1 x	Earthing line
2 x	Lead through grommets
<i>Accessories required:</i>	
1 x	SK TIE4-adapter kit-HAN



Field of use

Connection extension for a plug-in motor outlet (power supply) to make the connection to the motor from an inverter which is mounted near to the motor (e.g. wall-mounted). The Harting plug connector is equipped with 10 contacts (+PE) and has a 1-clamp locking system.

A separate plug connector must be selected for the plug connector for the incoming voltage supply (power input) from the mains (or upstream inverter).

An additional spacer plate is required for mounting on an inverter SK TIE4-adapter kit-HAN, Part No.: 275 274 100).



Technical Information / Datasheet	SK TIE4-HAN10E-M1B-MA			
Connection extension	TI 275274122	V 1.1	2314	EN

Technical data

Plug connector type	Harting HAN 10E
Number of contacts	10 +PE
Cable cross-section Power side	0.14 ... 2.5 mm ²
Contact insert	Socket insert (F)
Version	1 stirrup clamp Cage-clamp terminals
Protection class	IP65
Rated current	16 A
Rated voltage	500 V

Connections

HAN 10E PIN	Potential	SK 135E ... 175E Terminal	SK 180E ... 190E Terminal	SK 2xxE Terminal
1	U	U	U	U
2	V	V	V	V
3	W	W	W	W
PE	PE	PE	PE	PE
4	Electromagnetic brake +	79	79*	79 **
5	Electromagnetic brake -	80	80*	80 **
9	Temperature sensor +	38	38	38
10	Temperature sensor -	39	39	39

* For the control of an electromechanical brake, an electronic brake rectifier SK CU4-MBR is required.

** Sizes I to III of the SK 2x0E are not equipped with a connection terminal for an electromechanical brake (SK CU4-MBR, optional).

Optional accessories (not contained in the article)

Power plug connector HAN 10E (pin) - (Counterpart to the installed socket)

Number	Designation	Manufacturer	Information
1 x	Sleeve housing, HAN B, size 10B, for stirrup clamp	Harting	e.g. Harting order number: 19 30 006 0447 (straight cable outlet)
1 x	Contact insert HAN 10ES (pin insert)	Harting	Harting order number: 09 33 010 2616
1 x	Plastic cable gland	Harting	e.g. Harting order number: 19 00 000 5196 (M32 – 18...25 mm)

Additional documentation and software (www.nord.com)

Document	Designation
BU 0135	Manual for Motor Starters SK 135E, SK 175E
BU 0180	Manual for Frequency Inverters SK 180E, SK 190E
BU 0200	Manual for Frequency Inverters SK 2xxE
TI 275274100	Technical Information SK TIE4-adapter kit-HAN

SK TIE4-2HANQ5-M-LE-MA-001

Connection extension power input / motor outlet

Part number: 275 274 123



Scope of delivery

1 x	Adapter plate with seal
2 x	Housing attachment ILME CKAX 03 with plastic cap
1 x	Socket insert (F) ILME CKF 05
1 x	Pin insert (M) ILME CKM 05
6 x	Connecting line
2 x	Earthing line



Field of use

Connection extension with a plug-in mains connection (power input, type CKM 05) and a motor outlet (power supply, type CKF 05) for connection of the motor to an inverter which is installed close to the motor (e.g. wall-mounted). The ILME plug connectors each have 5 contacts + PE) and are compatible with Haring HAN Q5/0.



Technical Information / Datasheet	SK TIE4-2HANQ5-M-LE-MA-001			
Connection extension	TI 275274123	V 1.0	2014	EN

Technical data

Plug connector type	CQM 05 (pin)
Number of contacts	5 +PE
Cable cross-section	0.5 ... 2.5 mm ²
Rated current	16 A
Rated voltage	600 V
Contact insert	Pin insert (M)
Version	straight
Protection class	IP65

Plug connector type	CQF 05 (socket)
Number of contacts	5 +PE
Cable cross-section	0.5 ... 2.5 mm ²
Rated current	16 A
Rated voltage	600 V
Contact insert	Socket insert (F)
Version	straight
Protection class	IP65

Connections

CQM 05 PIN	Potential	SK 135E ... 175E Terminal	SK 180E ... 190E Terminal	SK 2xxE Terminal
1	L1	L1	L1	L1
2	L2	L2	L2	L2
3	L3	L3	L3	L3
PE	PE	PE	PE	PE

CQF 05 PIN	Potential	SK 135E ... 175E Terminal	SK 180E ... 190E Terminal	SK 2xxE Terminal
1	U	U	U	U
2	V	V	V	V
3	W	W	W	W
PE	PE	PE	PE	PE

Optional accessories (not contained in the article)

HAN Q5 (female) - (Counterpart to the installed plug connector)

Number	Designation	Manufacturer	Information
1 x	Sleeve housing, HAN-A	Harting	e.g. Harting order number: 19 20 003 1440
1 x	HAN Q5/0-F-QL Quick-Lock	Harting	Harting order number: 09 12 005 2733
1 x	HAN 3A fastening screw	Harting	Harting order number: 09 20 000 9918
1 x	Cable gland SKINDICHT SKZ-M M20 x 1.5, 13-15 mm	LAPP Kabel	52106830

HAN Q5 (male) - (Counterpart to the installed socket)

Number	Designation	Manufacturer	Information
1 x	Sleeve housing, HAN-A	Harting	e.g. Harting order number: 19 20 003 1440
1 x	HAN Q5/0-M-QL Quick-Lock	Harting	Harting order number: 09 12 005 2633
1 x	HAN 3A fastening screw	Harting	Harting order number: 09 20 000 9918
1 x	Cable gland SKINDICHT SKZ-M M20 x 1.5, 13-15 mm	LAPP Kabel	52106820

Additional documentation and software (www.nord.com)

Document	Designation
BU_0135	Manual for Motor Starters SK 135E, SK 175E
BU_0180	Frequency Inverter Manual for SK 180E, SK 190E
BU_0200	Manual for Frequency Inverters SK 2xxE

SK TIE4-2HAN4A-M-LE-MA-001

Connection extension power input / motor outlet

Part number: 275 274 124



Scope of delivery

1 x	Adapter plate with seal
2 x	Housing attachment ILME CKAX 03 with cover cap
1 x	Socket insert (F) ILME CKF 04
1 x	Pin insert (M) ILME CKM 04
6 x	Connecting line
2 x	Earthing line



Field of use

Connection extension with a plug-in mains connection (power input, type CKM 04) and a motor outlet (power supply, type CKF 04) for connection of the motor to an inverter which is installed close to the motor (e.g. wall-mounted). The ILME plug connectors each have 4 contacts (+ PE) and are compatible with Haring HAN 4A.



Technical Information / Datasheet	SK TIE4-2HAN4A-M-LE-MA-001			
Connection extension	TI 275274124	V 1.0	2014	EN

Technical data

Plug connector type	ILME CKM 04 (pin)
Number of contacts	4 +PE
Cable cross-section	0.75 ... 2.5 mm ²
Rated current	10 A
Rated voltage	250 V
Contact insert	Pin insert (M)
Version	straight
Protection class	IP65

Plug connector type	ILME CKF 04 (socket)
Number of contacts	4 +PE
Cable cross-section	0.75 ... 2.5 mm ²
Rated current	10 A
Rated voltage	250 V
Contact insert	Socket insert (F)
Version	straight
Protection class	IP65

Connections

CKM 04 PIN	Potential	SK 135E ... 175E Terminal	SK 180E ... 190E Terminal	SK 2xxE Terminal
1	L1	L1	L1	L1
2	L2	L2	L2	L2
3	L3	L3	L3	L3
PE	PE	PE	PE	PE

CKF 04 PIN	Potential	SK 135E ... 175E Terminal	SK 180E ... 190E Terminal	SK 2xxE Terminal
1	U	U	U	U
2	V	V	V	V
3	W	W	W	W
PE	PE	PE	PE	PE

Optional accessories (not contained in the article)

HAN 4A (socket) - (Counterpart to installed plug connector)

Number	Designation	Manufacturer	Information
1 x	Sleeve housing HAN 3A	Harting	e.g. Harting order number: 19 20 003 1440
1 x	HAN 4A-F-QL 1,5 mm ² Quick-Lock	Harting	Harting order number: 09 20 004 2734
1 x	HAN 3A fastening screw	Harting	Harting order number: 09 20 000 9918
1 x	Cable gland SKINDICHT SKZ-M M20 x 1.5, 13-15 mm	LAPP Kabel	52106830

HAN 4A (pin) - (Counterpart to the installed socket)

Number	Designation	Manufacturer	Information
1 x	Sleeve housing HAN 3A	Harting	e.g. Harting order number: 19 20 003 1440
1 x	HAN 4A-M-QL 1.5 mm ² socket insert	Harting	Harting order number: 09 20 004 2634
7 x	Crimp contact 1.5 mm ²	Harting	Harting order number: 09 15 000 6201
1 x	HAN 3A fastening screw	Harting	Harting order number: 09 20 000 9918
1 x	Cable gland SKINDICHT SKZ-M M20 x 1.5, 11-13 mm	LAPP Kabel	52106820

Additional documentation and software (www.nord.com)

Document	Designation
BU_0135	Manual for Motor Starters SK 135E, SK 175E
BU_0180	Frequency Inverter Manual for SK 180E, SK 190E
BU_0200	Manual for Frequency Inverters SK 2xxE

SK TIE4-QPD_3PE-K-LE

Power input connection extension

Part number: 275 274 125



Scope of delivery

1 x	Quickon wall lead through
1 x	Quickon nut (9 – 14 mm)
1 x	Closing plug (14 mm)



Field of use

Connection extension via a QUICKON wall lead through as a plug-in cable connection (Type PHOENIX QPD) to the mains supply (power input) of the inverter. The PHOENIX plug connector is equipped with 3 contacts (+PE).



Technical Information / Datasheet	SK TIE4-QPD_3PE-K-LE			
Connection extension	TI 275274125	V 1.3	1916	EN

Technical data

Plug connector type	QPD W 3PE2.5
Number of contacts	3 +PE
Cable cross-section Power side	1 ... 2.5 mm ²
Protection class	IP68
Rated current	20 A
Rated voltage	690 V

Connections

QPD PIN / Cable color	Potential	SK 135E ... 175E Terminal	SK 180E ... 190E Terminal	SK 2xxE Terminal
1 / Black	L1		L1	
2 / Brown	L2		L2	
3 / Gray	L3		L3	
PE / Green-Yellow	PE		PE	

Optional accessories (not contained in the article)

Number	Designation	Manufacturer	Item no. / Information
1 x	Protective cap QPD QSK 4 x 2.5	Phoenix Contact	200960600 (Phoenix Contact Item No. 1582150)
1 x	Quickon nut for cable diameters 6 ... 10mm QPD N 2,5 6-10 BK	Phoenix Contact	Phoenix Contact Item No. 1582226

Additional documentation and software (www.nord.com)

Document	Designation
BU_0135	Manual for Motor Starters SK 135E, SK 175E
BU_0180	Frequency Inverter Manual for SK 180E, SK 190E
BU_0200	Manual for Frequency Inverters SK 2xxE

SK TIE4-CA3GS-K-LE-MX

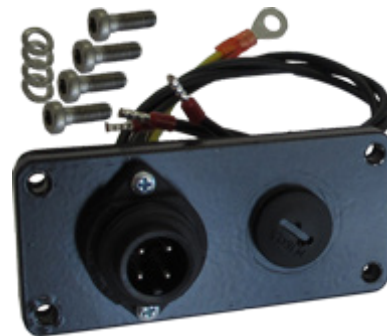
Power input connection extension

Part number: 275 274 132



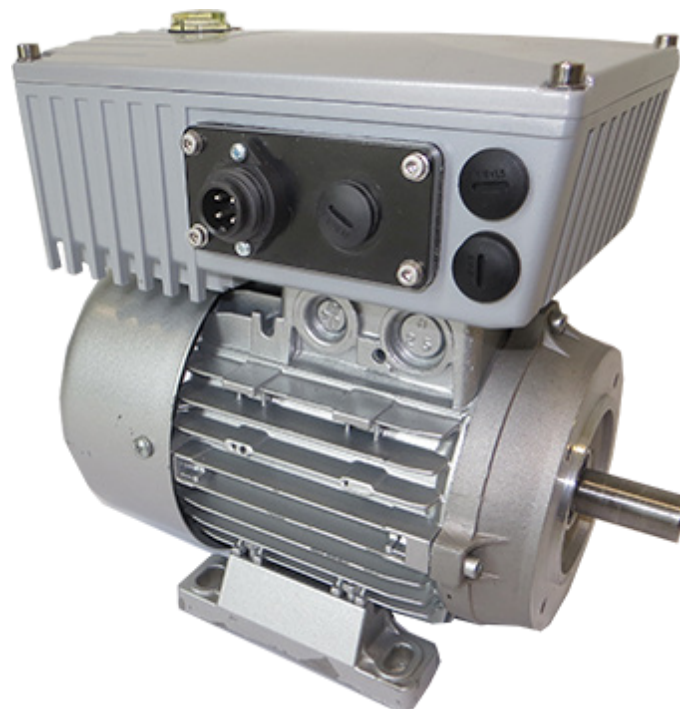
Scope of delivery

1 x	Housing attachment CA 3 GS
1 x	Contact insert CA 3 GS
3 x	Connecting line
1 x	Earthing line
2 x	Fastening screws M3 x 10
1 x	Adapter plate, including sealing rubber, blind plug M16 x 1.5, 4 x mounting bolts (Allen screw (M4 x 12)) and washers



Field of use

Connection extension for plug-in mains voltage connection (power input) directly on the starter, inverter (or connection unit) or on the motor terminal box. The plug connector is equipped with 3 contacts (+PE). The adapter plate is also available with a cable gland with an M16 thread.



Technical Information / Datasheet	SK TIE4-CA3GS-K-LE-MX			
Connection extension	TI 275274132	V 1.0	3815	EN

Technical Data

Plug connector type	Hirschmann CA 3 GS
Number of contacts	3 +PE
Cable cross-section Power side	0.5 ... 2.5 mm ²
Contact insert	Pin insert (M)
Protection class	IP67
Rated current *)	10 A DC / 16 A AC
Rated voltage	250 V DC / 400 V AC

*) See "Derating"

Derating

The stated rated current can only be achieved in the following temperature ranges:

10 A DC: -40 °C ... +45 °C

16 A AC: -40 °C ... +30 °C

Above the stated temperature ranges the permissible rated current reduces linearly to 0 A at an ambient temperature of 90 °C.

Connections

CA 3 GS PIN	Potential	SK 135E ... 175E Terminal	SK 180E ... 190E Terminal	SK 2xxE Terminal
1	L1	L1	L1	L1
2	L2	L2	L2	L2
3	L3	L3	L3	L3
PE	PE	PE	PE	PE

Optional accessories (not contained in the article)

Number	Designation	Manufacturer	Information
1 x	Power socket CA 3 LD, <i>straight form</i> , integrated strain relief	Hirschmann	e.g. Hirschmann order number: 934 125-100
1 x	Power socket CA 3 W LD, <i>angled form</i> , integrated strain relief	Hirschmann	e.g. Hirschmann order number: 934 129-100
1 x	Protective cap	Hirschmann	e.g. Hirschmann order number: 831 529-100

Additional documentation and software (www.nord.com)

Document	Designation
BU_0135	Manual for Motor Starters SK 135E, SK 175E
BU_0180	Frequency Inverter Manual for SK 180E, SK 190E
BU_0200	Manual for Frequency Inverters SK 2xxE

SK TIE4-NQ16-K-LE

Part number: 275 274 133

Power input connection extension

Scope of delivery

1 x	Housing attachment NQ16 with plastic cap
1 x	Contact insert NQ16 (5 pin + PE)
5 x	Connection cable (3x black, 2x blue)
1 x	Earthing line
1 x	Reducer M25/M20 PA6



Field of use

Connection extension for plug-in mains voltage connection (power input) directly on the drive electronics (or connection unit) or on the motor terminal box. The plug connector has 3 contacts for the power input (+PE) and 2 auxiliary contacts and is equipped with a locking system.

Attachment to the drive electronics (or motor) is made directly onto an M25 cable gland via an M25/M20 reducer.



Technical Information / Datasheet	SK TIE4-NQ16-K-LE			
Connection extension	TI 275274133	V 1.0	0616	EN

Technical data

Plug connector type	NORD NQ16
Number of contacts	5 +PE
Cable cross-section	0.37 ... 2.5 mm ²
Contact insert	Pin insert (M)
Rated current for power contact	16 A
Rated voltage for power contact	630 V
Rated current for signal contact	10 A
Rated voltage for signal contact	63 V
Version	Straight
Protection class	IP67

Connections

NQ16 PIN		Potential	SK 135E ... 175E Terminal	SK 180E ... 190E Terminal	SK 2xxE Terminal
1	(black)	L1	L1	L1	L1
2	(black)	L2	L2	L2	L2
3	(black)	L3	L3	L3	L3
PE	(green/yellow)	PE	PE	PE	PE
A	(blue)	24 V	44	44 *	44 *
B	(blue)	GND	40	40 *	40 *

* For the SK 2x0E / SK 180E series, an optional bus module can be supplied with an external 24V power supply using this plug connector system.

Optional accessories (not contained in the article)

Power plug connector NQ16 (socket) - (Counterpart to installed plug connector)

Number	Designation	Manufacturer	Information
1 x	W-TEC_15K_Smooth/Straight socket_6x2.5 (1x socket with straight outlet, 1x open cable end)	LQ group	e.g. 1124257-xxxxx (x = placeholder for cable length)
Alternative			
1 x	W-TEC_15K_Smooth/90°R socket_6x2.5 (1x socket with 90° outlet, 1x open cable end)	LQ group	e.g. 1127207-xxxxx (x = placeholder for cable length)

Additional documentation and software (www.nord.com)

Document	Designation
BU 0135	Manual for Motor Starters SK 135E, SK 175E
BU 0180	Frequency Inverter Manual for SK 180E, SK 190E
BU 0200	Manual for Frequency Inverters SK 2xxE

SK TIE4-HAN3A-K-IO-IO

24 V DC in- and output connection extension

Part number: 275 274 135



Scope of supply

1 x	Adapter plate with seal
1 x	Housing attachment HAN 3A straight
1 x	Pin insert (Male) HAN 3A
1 x	Pin insert (Female) HAN 3A
2 x	Cover cap
4 x	Screws M4 x 25 with contact wheel
1 x	Cable set 1.5 mm ² for 2HAN3A
2 x	Connecting clamp, 5-pole



Area of application

Connection extension with a plug-in 24V DC voltage connection (control voltage in- and output) directly mounted on the device (motor starter, frequency inverter or motor adapter) with a HAN 3A plug extension. Two contacts (+PE) are available for each plug to realize the daisy chain connection of the 24V DC supply.



Technical Information / Datasheet	SK TIE4-2HAN3A-K-IO-IO			
Connection extension	TI 275274135	V1.0	0218	en

Technical data

Plug connector type	HAN 3A (Female)
Number of contacts	2 +PE
Cable cross-section	1.5 mm ²
Rated current	10 A
Rated voltage	400 V / 600 V (EN / UL)
Contact insert	Socket insert (Female)
Version	Straight
Protection class	IP65

Plug connector type	HAN 3A (Male)
Number of contacts	2 +PE
Cable cross-section	1.5 mm ²
Rated current	10 A
Rated voltage	400 V / 600 V (EN / UL)
Contact insert	Pin insert (Male)
Version	Straight
Protection class	IP65

Connections

HAN 3A PIN configuration	Potential / Cable color	WAGO Terminal	SK 135E ... 175E Terminal	SK 2xxE Terminal
Pin insert 1 (M)	24V DC / Brown	24V (Wago 1 / 1)	-	-
Pin insert 2 (M)	GND / Blue	GND (Wago 2 / 1)	-	-
Pin insert PE (M)	PE / Green-Yellow	-	PE Dom	
Socket insert 1 (F)	24V DC / Brown	24V (Wago 1 / 2)	-	-
Socket insert 2 (F)	GND / Blue	GND (Wago 2 / 2)	-	-
Socket insert PE (F)	PE / Green-Yellow	-	PE Dom 2	
-	24V DC / Brown	24V (Wago 1 / 3)	44	44
-	GND / Blue	GND (Wago 2 / 3)	40	40

Optional accessories (not contained in the article)

HAN 3A (Female) - (Counterpart to the installed male plug connector)

Qty.	Designation	Manufacturer	Information
1 x	Sleeve housing HAN 3 A-GG PG11 plastic straight black	Harting	Order-No.: 09 20 003 0427
1 x	Female insert (F) grey HAN 3A-BU-S	Harting	Order-No.: 09 20 003 2711
1 x	HAN 3A fastening screw	Harting	Order-No.: 09 20 000 9918
1 x	Cable gland PG11 plastic black	Harting	Order-No.: 09 00 000 5182
1 x	Sealing PG11, black	Harting	Order-No.: 09 00 000 5020

HAN 3A (Male) – (Counterpart to the installed female plug connector)

Qty.	Designation	Manufacturer	Information
1 x	Sleeve housing HAN 3 A-GG PG11 plastic straight black	Harting	Order-No.: 09 20 003 0427
1 x	Pin insert (M) grey HAN 3A-STI-S	Harting	Order-No.: 09 20 003 2611
1 x	HAN 3A fastening screw	Harting	Order-No.: 09 20 000 9918
1 x	Cable gland PG11 plastic black	Harting	Order-No.: 09 00 000 5182
1 x	Sealing PG11, black	Harting	Order-No.: 09 00 000 5020

Additional documentation and software (www.nord.com)

Document	Designation
BU 0135	Manual for Motor Starters SK 135E, SK 175E
BU 0180	Frequency Inverter Manual for SK 180E, SK 190E
BU 0200	Manual for Frequency Inverters SK 2xxE

SK TIE4-HANQ2-K-BRE-MX

Part number: 275 274 138

Brake resistor connection extension



Scope of delivery

1 x	Adapter plate with sealing
1 x	Housing attachment HAN 3A, straight, plastic
1 x	Female insert (F) HAN Q 2/0
1 x	Cover cap
1 x	Blind plugs M16X1,5
4 x	Fastening screws M4 x 25 with contact discs
1 x	Cable set 4,0 mm ² for HAN Q2/0



Field of use

Connection extension with a plug-in brake resistor connection directly mounted on the inverter (or motor adapter) or on the motor terminal box with a HAN Q 2/0 plug connector. Two power connections (+PE) and an M16 threaded hole is available. Furthermore, a cable gland M16x1.5 mm can be used.



Technical Information / Datasheet	SK TIE4-HANQ2-K-BRE-MX			
Connection extension	TI 275274138	V 1.0	1417	EN

Technical data

Plug connector type	HAN Q 2/0 (Female)
Number of contacts	2 +PE
Cable cross-section	4.0 mm ²
Rated current	40 A
Rated voltage	830 V
Contact insert	Female insert (F)
Version	Straight
Protection class	IP65
Cable connection	Screwed connection

Connections

HAN Q 2/0 designation	Cable color code	Cable designation	SK 135E ... 175E Terminal	SK 2xxE Terminal
1	Black	B+ (Brake resistor)	B+	B+
2	Black	B- (Brake resistor)	B-	B-
PE	Green Yellow	PE	PE inside of the device	

Optional accessories (not contained in the article)

HAN Q 2/0 (male) - (Counterpart to the installed female plug connector)

Number	Designation	Manufacturer	Information
1 x	Sleeve housing HAN 3A-GG PG11 plastic, straight, black	Harting	Harting order number: 09 20 003 0427
1 x	Pin insert, grey HAN Q 2/0-sti HV 2,5-6 mm ²	Harting	Harting order number: 09 12 002 2654
1 x	HAN 3A fastening screw	Harting	Harting order number: 09 20 000 9918
1 x	Cable gland PG11, plastic, black	Harting	Harting order number: 09 00 000 5182
1 x	Sealing PG11, black	Harting	Harting order number: 09 00 000 5020
1 x	Sleeve housing cap HAN 3A-AK-QB	Harting	Harting order number: 09 20 003 5442

Additional documentation and software (www.nord.com)

Document	Designation
BU 0135	Manual for Motor Starters SK 135E, SK 175E
BU 0180	Manual for Frequency Inverters SK 180E, SK 190E
BU 0200	Manual for Frequency Inverters SK 2xxE
TI 275274100	Technical Information SK TIE4-adapter kit-HAN
TI 275274031	Technical Information SK TD-KIT-1

SK TIE4-2HANB_CU-K-IO-IO

Hybrid field bus plug connection extension
for a 24 V DC input / output and a bus input / output

Part number: 275 274 150



Scope of delivery

1 x	Adapter plate with seal
1 x	Spacer with seal
2 x	Housing attachment HAN 3A with plastic cap
1 x	Pin insert (M) HAN-Brid CU
1 x	Socket insert (M) HAN-Brid CU
1 x	Cable kit



Field of use

Connection extension for a plug connection and looping of an external 24V DC control voltage and a field bus connection. Four electrical contacts (+PE) and 2 contacts for shielded 2-wire cables are available.



Technical Information / Datasheet	SK TIE4-2HANB_CU-K-IO-IO			
Connection extension	TI 275274150	V 1.0	2014	EN

Technical data

Plug connector type	HAN-BRID CU (socket)
Number of contacts	4 +PE
Cable cross-section	0.14 ... 2.5 mm ²
Rated current	10 A
Rated voltage	50 V
Contact insert	Socket
Version	straight
Protection class	IP65

Plug connector type	HAN-BRID CU (pin)
Number of contacts	4 +PE
Cable cross-section	0.14 ... 2.5 mm ²
Rated current	10 A
Rated voltage	50 V
Contact insert	Pin
Version	straight
Protection class	IP65

Connections

HAN-BRID CU PIN	Potential	SK 135E ... 175E Terminal	SK 180E ... 190E Terminal	SK 2xxE Terminal
1	24V	44	44	44
2	GND	40	40	40
3		T14 discrete terminal point 1		
4		T14 discrete terminal point 2		
A	PBR-A	77	77	77
B	PBR-B	78	78	78
PE	PE	PE	PE	PE

Optional accessories (not contained in the article)

Hybrid field bus plug connector HAN-BRID CU (pin) - (Counterpart to the installed socket)

Number	Designation	Manufacturer	Information
1 x	Sleeve housing HAN 3A	Harting	e.g. Harting order number: 19 20 003 1440
1 x	HAN 3A fastening screw	Harting	Harting order number: 09 20 000 9918
1 x	HAN-BRID pin insert	Harting	Harting order number: 09 12 006 2694
1 x	Cable gland SKINDICHT SKZ-M M20 x 1.5, 13-15 mm	LAPP Kabel	52106830

Hybrid field bus plug connector HAN-BRID CU (socket) - (Counterpart to the installed plug)

Number	Designation	Manufacturer	Information
1 x	Sleeve housing HAN 3A	Harting	e.g. Harting order number: 19 20 003 1440
1 x	HAN 3A fastening screw	Harting	Harting order number: 09 20 000 9918
1 x	HAN-BRID socket insert	Harting	Harting order number: 09 12 006 2794
1 x	Cable gland SKINDICHT SKZ-M M20 x 1.5, 13-15 mm	LAPP Kabel	52106830

Additional documentation and software (www.nord.com)

Document	Designation
BU 0135	Manual for Motor Starters SK 135E, SK 175E
BU 0180	Frequency Inverter Manual for SK 180E, SK 190E
BU 0200	Manual for Frequency Inverters SK 2xxE