

SK TIE4-HANQ5-K-LE-MX

Terminal Extension Power Input

Part number: 275 274 111



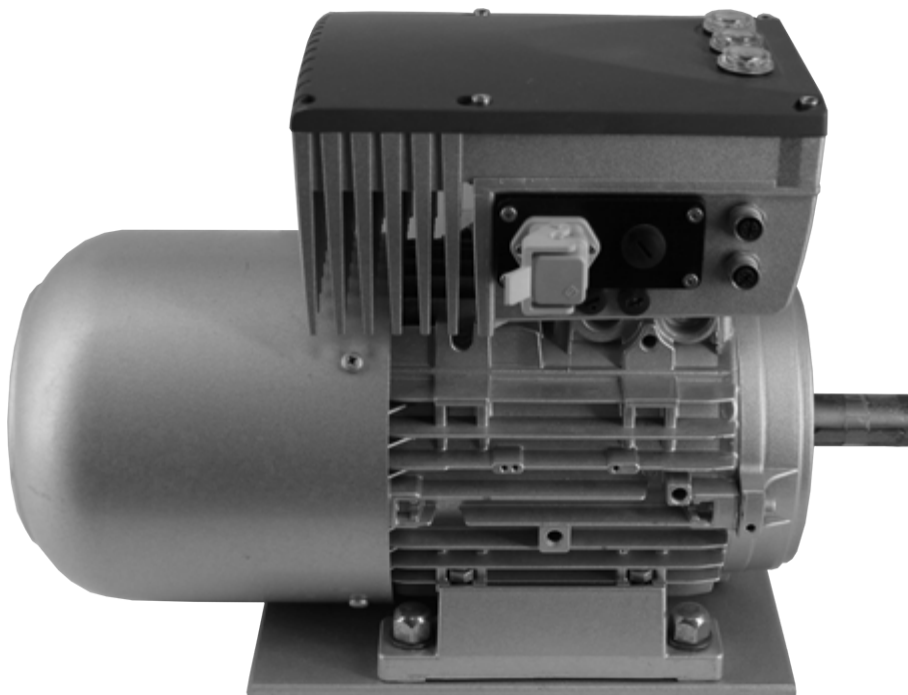
Scope of supply

1 x	Adapter plate with gasket
1 x	Mounting enclosure HAN 3A with plastic cap
1 x	Pin insert (M) HAN Q5/0
1 x	Cable set HANQ5-LE
1 x	Blind plug
4 x	Cylinder head screw M4x12 with contact washer



Application

Connection extension with a plug-in mains connection (power input), directly mounted on the frequency inverter (or motor adapter) or motor terminal box with power connector, type HAN Q5. Three power pins (+PE) and one additional M16 threaded hole are available.



Technical Information / Datasheet	SK TIE4-HANQ5-K-LE-MX			
Connection extension	TI 275274111	V 1.0	0217	EN

Technical Data

Plug type	HAN Q5 (Male)
Contact quantity	5 +PE
Conductor cross-section	0.5 ... 2.5 mm ²
Rated current	16 A
Rated voltage	400 V
Contact insert	Pin insert (M)
Format	Plug 90° offset
Protection degree	IP65

Connection

HAN Q5 PIN	Potential	SK 135E ... 175E Terminal	SK 180E ... 190E Terminal	SK 2xxE Terminal
1	L1		L1	
2	L2		L2	
3	L3		L3	
PE	PE		PE	

Optional Accessories (not included in scope of supply)

HAN Q5 (Female) – (Mating socket for the used plug)

Quantity	Identification	Manufacturer	Information
1 x	Connector housing HAN-A	Harting	e.g. Harting order number: 19 20 003 1440
1 x	HAN Q5/0-F-QL Quick-Lock	Harting	Harting order number: 09 12 005 2733
1 x	HAN 3A fixing screw	Harting	Harting order number: 09 20 000 9918
1 x	Cable gland type SKINDICHT SKZ-M M20 x 1.5, 13-15 mm	LAPP Cable	52106830

Additional documentation and software (www.nord.com)

Document	Designation
BU 0135	Manual for Motor Starters SK 135E, SK 175E
BU 0180	Frequency Inverter Manual for SK 180E, SK 190E
BU 0200	Manual for Frequency Inverters SK 2xxE