

GETRIEBEBAU NORD

Member of the NORD DRIVESYSTEMS Group

Getriebebau NORD GmbH & Co. KG

Getriebebau-Nord-Straße 1 • 22941 Bargteheide, Germany • www.nord.com



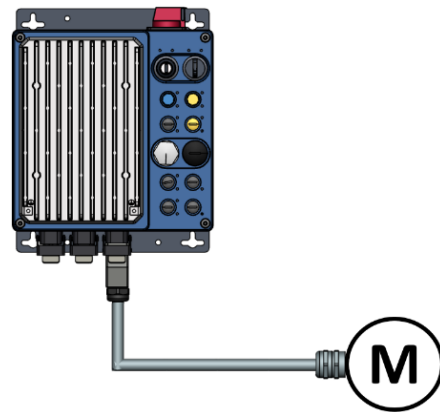
SK CE-HQ8-K-MA-OE25-M4-xxUL

Cable Motor

Scope of supply

| | |
|-----|-------------------------------------|
| 1 x | Power plug (male), 8-poles plus PE |
| 1 x | Cable with 8 single wires, shielded |
| 1 x | EMV cable gland, size M25 |

| Part number | Cable length |
|---|--------------|
| 275 274 216 | 3 m |
| 275 274 217 | 5 m |
| Open wire ends prepared for ZKK option at: NORD Motor, frame size 80 or 90 | |



It only is allowed for qualified electricians to install and commission the module. An electrician is a person who, because of their technical training and experience, has sufficient knowledge relating to

- switching on, switching off, isolating, earthing and marking power circuits and devices,
- proper maintenance and use of protective devices in accordance with defined safety standards.



DANGER!

Danger of electric shock

The frequency inverter continues to carry hazardous voltages for up to 5 minutes after it was switched off.

- Work must not be carried out unless the device has been disconnected from the voltage and at least 5 minutes have elapsed since the mains was switched off!



Information

UL category (PVVA2)

This cable fulfils the requirements of the UL category PVVA2. The cable is mounted with UL listed components and is produced under the UL "Wiring Harness Program" (Category ZPFW2/8) at a certified production site. The polybag package of the harnesses gets a special UL "Wiring Harness" traceability label (Category ZPFW2).

Example of identification mark

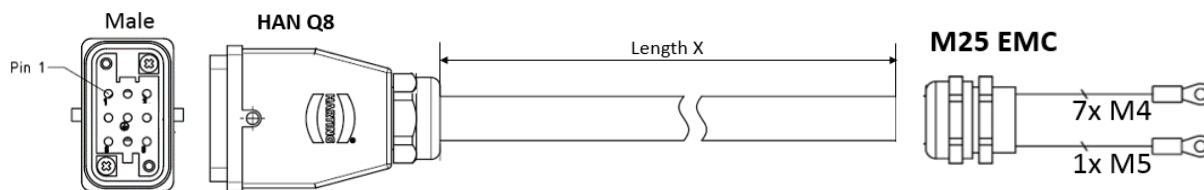


Field of use

This cable is specialised to connect the NORDAC *LINK* device with the **NORD motor (size 80 or 90)** with a **standard terminal box (ZKK)** via cable gland and fulfils the **UL category PVVA2**.

The field distributor NORDAC *LINK* fulfils the standards of EN 61800-3 and EN 55011 with that special cable concerning to category and limit values of electromagnetic compatibility (EMC). The technical details are noted in our manual of NORDAC *LINK* (**BU 0250**).

| Technical Information / Datasheet | SK CE-HQ8-K-MA-OE25-M4-xxUL | | | |
|-----------------------------------|-----------------------------|-----|------|----|
| Specification of connection cable | TI_275274216-217 | 1.0 | 3419 | en |



Inverter connection

Motor connection

i Information

Fixed laying system for the cable!




This cable is only useable for fixed (not moved) installation. All values for the fixed laying system are noted on this data sheet. Other laying systems are not allowed with this cable type.

Technical Data

| Specification | Plug |
|------------------------------|-----------------|
| Number of contacts | 8 + PE |
| Type of contacts | Male (M) |
| Rated current I _N | 16 A |
| Rated voltage | 600 V (UL) |
| Plug housing: | Plastic |
| Limit temperature | -40 ... +125 °C |
| Pollution degree | 3 |

| Specification | Cable |
|---------------------|-----------------------------|
| AWN Style | 21179 |
| Designation | 4x 14AWG + 2x(2x18AWG) |
| Bending radius | 5x cable diameter |
| Outside diameter | 16,4 (+/-0.6) mm |
| Insulation material | PVC |
| Conductor material | Cu, blanc / Finely stranded |
| Open wire length | 150 mm dismantled |

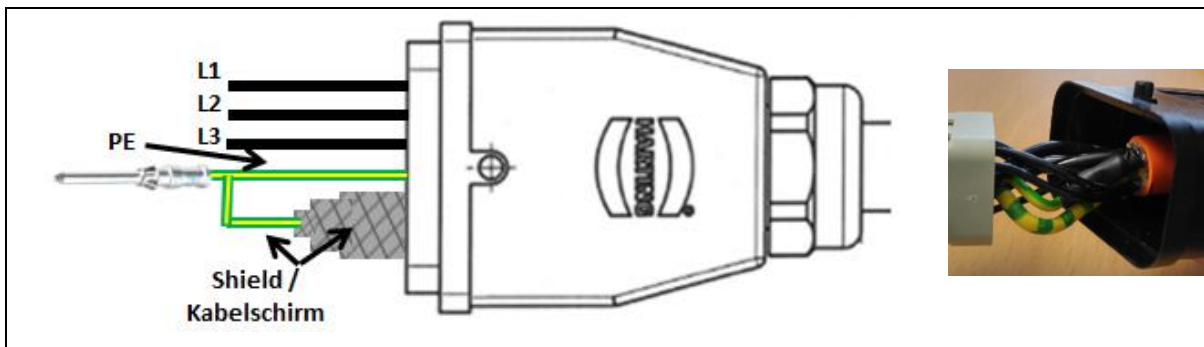
PIN assignment

| Potential | PIN assignment electronics | | Cable color: designation acc. to AWN Style | | Open wires at motor side | |
|---|----------------------------|-------------------|--|---|--------------------------|----------|
| | | | | | Format | Terminal |
| U | 1 | | Black: | U / L1 / C / L+ | Cable lug ø 4mm | U1 / T1 |
| V | 7 | | Black: | V / L2 | Cable lug ø 4mm | V1 / T2 |
| W | 3 | | Black: | W / L3 / D / L | Cable lug ø 4mm | W1 / T3 |
|  | PE | PE | Green/Yellow |  | Cable lug ø 5mm | PE |
| | | Braided shielding | |  | M25 EMC cable gland | |
| BR - | 4 | | Black: | 5 | Cable lug ø 4mm | BD1 |
| BR + | 6 | | Black: | 6 | Cable lug ø 4mm | BD2 |
| TF - | 5 | | Black: | 7 | Cable lug ø 4mm | 2TP1 |
| TF + | 8 | | Black: | 8 | Cable lug ø 4mm | 2TP2 |

i Information

Shield connection at HAN Q8 plastic plug

The shielding braid must be connected over a large area via separate wire to the PE conductor. The shield and the PE conductor must be isolated and connected together on the PE-PIN.



Additional documentation and software (www.nord.com)

| Document | Designation |
|-------------------------|--|
| BU 0155 | Manual for Motor Starters SK 155E-FDS, SK 175E-FDS |
| BU 0250 | Frequency Inverter Manual for SK 250E-FDS |