

# GETRIEBEBAU NORD

Member of the NORD DRIVESYSTEMS Group



Getriebebau NORD GmbH & Co. KG

Getriebebau-Nord-Straße 1 • 22941 Bargteheide, Germany • www.nord.com

## SK CE-HQ8-K-MA-H10E-M1B-xxM

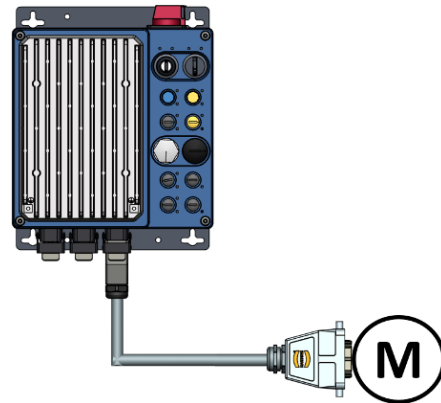
### Cable Motor

#### Scope of supply

1 x	Power plug (M), 8-poles plus PE
1 x	Cable with 8 single wires, shielded
1 x	Power plug (F), 10-pole plus PE, single locking lever

Part number	Cable length
275 274 810	1,5 m
275 274 811	3 m
275 274 812	5 m
275 274 813	10 m

Motor cable for NORD motor 63 – 112 with option:  
“Motor Power Plug Connector” (MS31 or MS31E)



**DANGER!**

#### Danger of electric shock

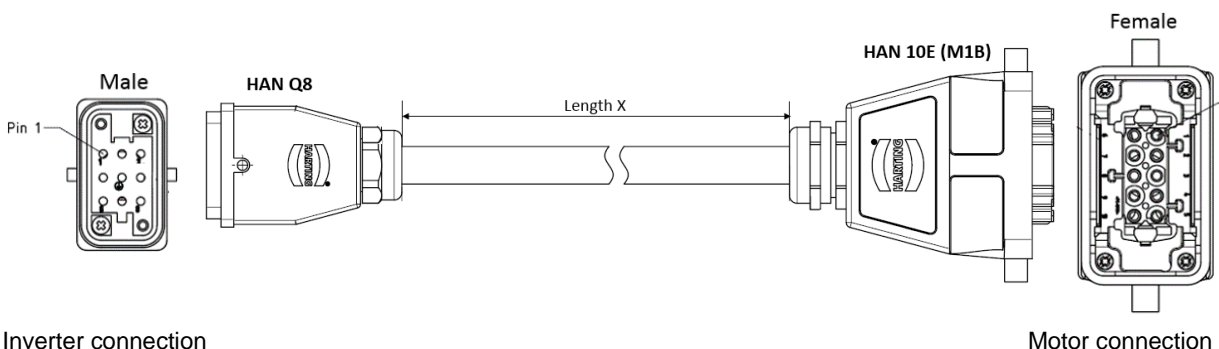
The frequency inverter continues to carry hazardous voltages for up to 5 minutes after it was switched off.

- Work must not be carried out unless the device has been disconnected from the voltage and at least 5 minutes have elapsed since the mains was switched off!

#### Field of use

This cable is a specialised cable to connect the NORDAC *LINK* with the **NORD motor (sizes 63 – 112) with MS31 option.**

**The device NORDAC *LINK* fulfils the standards of EN 61800-3 and EN 55011 with that special cable concerning to category and limit values of electromagnetic compatibility (EMC).** The technical details are noted in our manual of NORDAC *LINK* (**BU 0250**).



Technical Information / Datasheet	SK CE-HQ8-K-MA-H10E-M1B-xxM			
Specification of connection cable	TI 275274810-813	1.0	3419	en

**i Information**

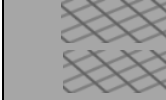
**Fixed laying system for the cable!**

This cable is only useable for fixed (not moved) installation. All values for the fixed laying system are noted on this data sheet. Other laying systems are not allowed with this cable type.

**Technical Data**

Specification	Plug		Specification	Cable
	Electronic	Motor		
Quantity of contacts	8 + PE	10 + PE	AWM Style	2570
Type of contacts	Male (M)	Female (F)	Designation	4G2,5 + 2x(2x1,0)
Rated current I <sub>N</sub>	16 A		Bending radius	5x cable diameter
Rated voltage	500 V (EU)		Outside diameter	approx. 13,5 mm
Housing material	Plastic	Aluminium	Insulation material	PVC
Limiting temperature	-40 ... +125 °C		Conductor material	Cu, blank
Degree of pollution	3		Conductor type	Finely stranded

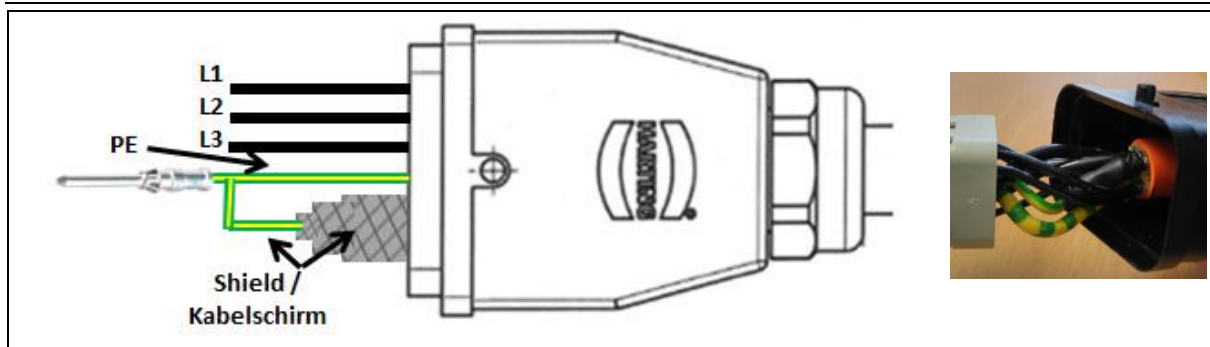
**PIN assignment**

Potential	PIN assignment Electronics		Cable color: Designation acc. to AWM Style	PIN assignment Motor	Potential	
U	1		Black	1	U1 / T1	
V	7		Black		2	V1 / T2
W	3		Black		3	W1 / T3
⊕	PE	PE	Green/Yellow	EMV cable gland	⊕	
		Braided shielding				
BR -	4		Black	4	MB -	
BR +	6		Black	5	MB +	
TF -	5		Black	9	TF -	
TF +	8		Black	10	TF +	

**i Information**

**Shield connection at HAN Q8 plastic plug**

The shielding braid must be connected over a large area via separate wire to the PE conductor. The shield and the PE conductor must be isolated and connected together on the PE-PIN.





**Additional documentation and software ([www.nord.com](http://www.nord.com))**

Document	Designation
<a href="#">BU_0155</a>	Manual for Motor Starters SK 155E-FDS, SK 175E-FDS
<a href="#">BU_0250</a>	Frequency Inverter Manual for SK 250E-FDS