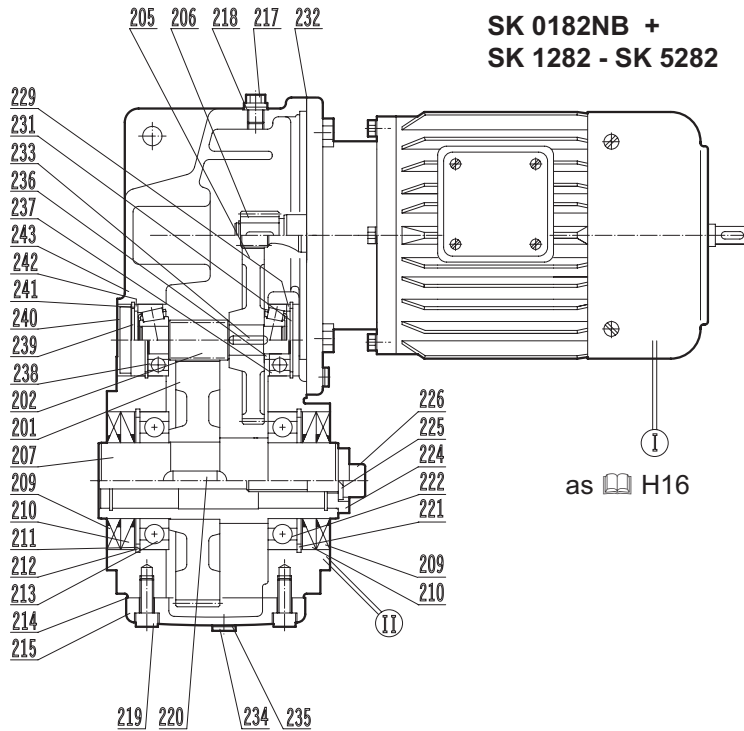

GENERAL PARTS LIST



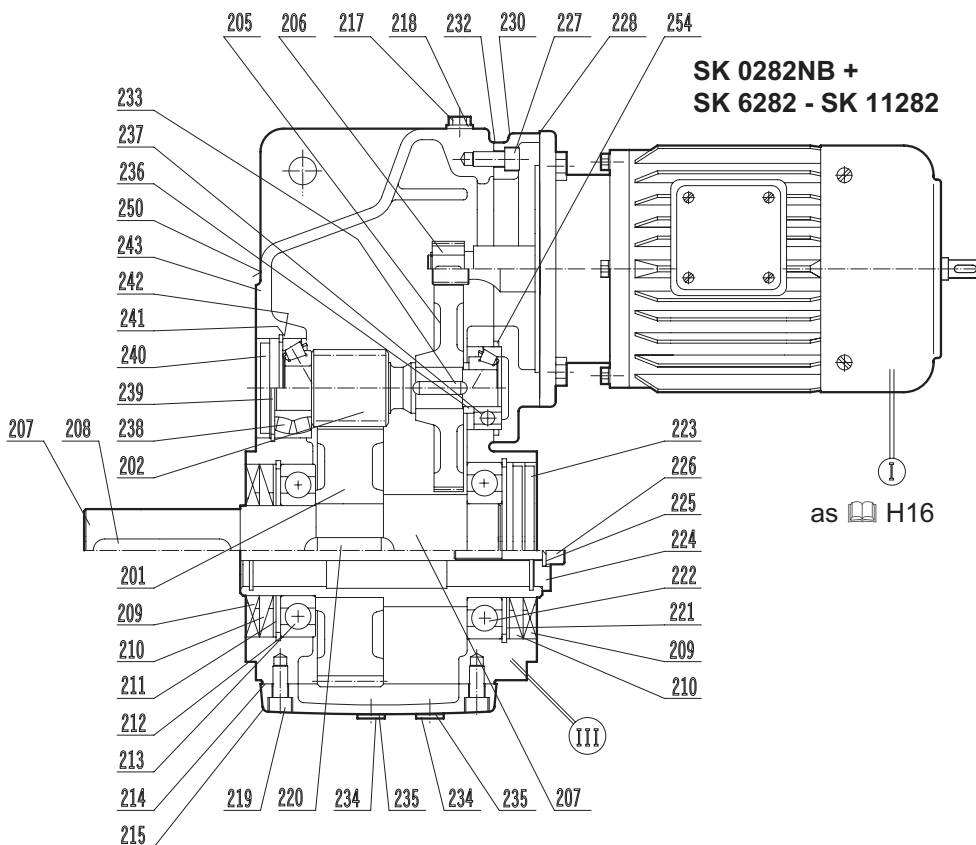
BLOCK / NORDBLOC- PARALLEL SHAFT GEAR UNIT

General parts list



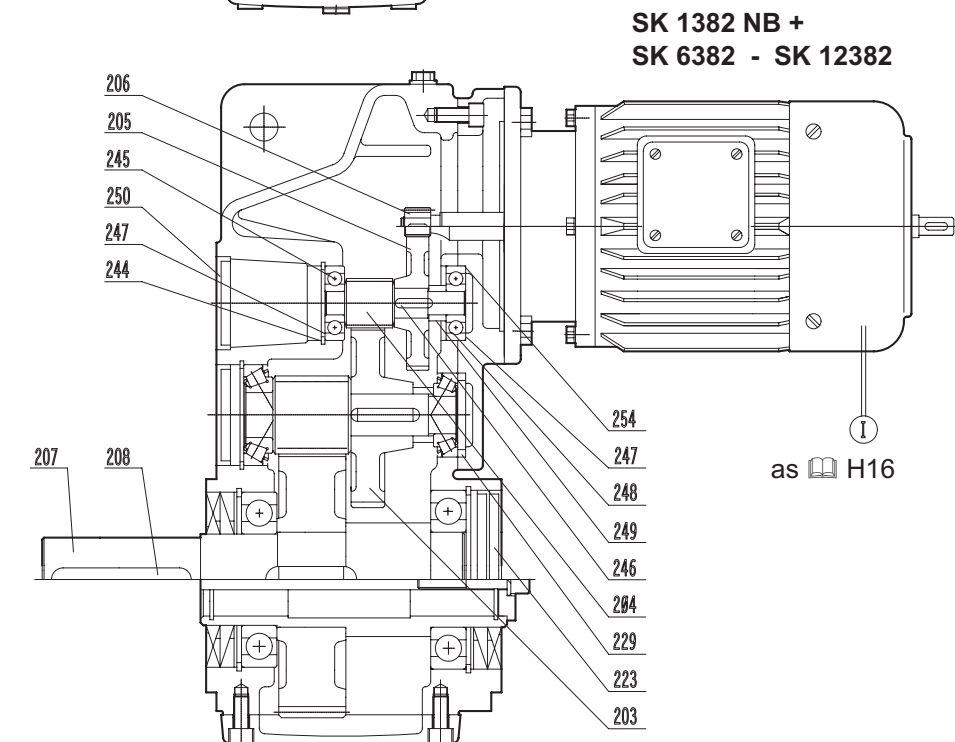
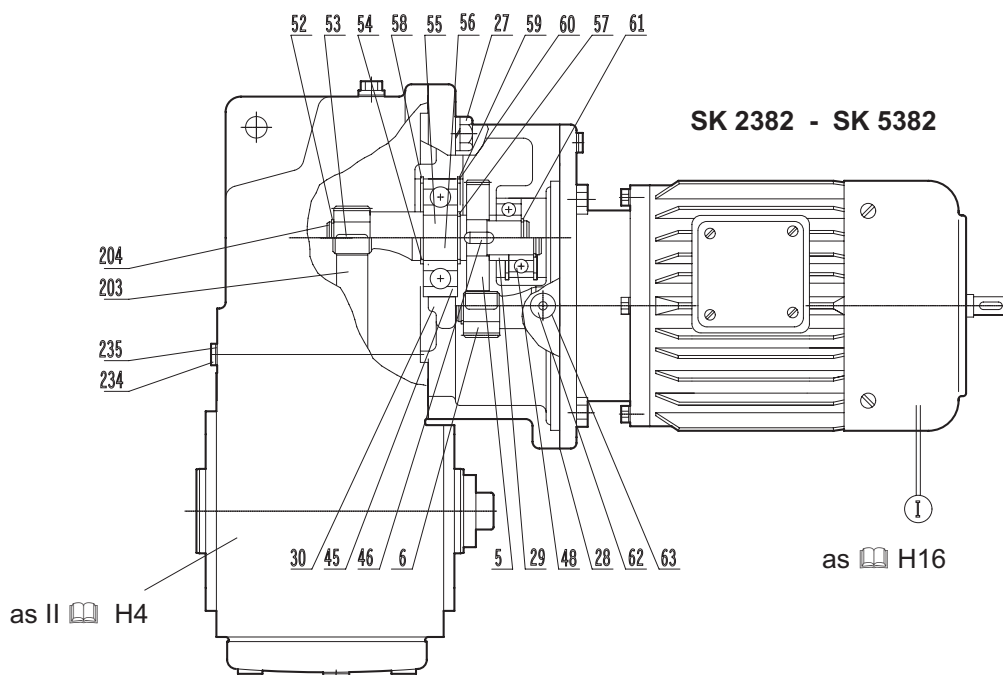
**SK 0182NB +
SK 1282 - SK 5282**

- 201 Driven gear
- 202 Pinion shaft
- 205 Driving gear
- 206 Driving pinion
- 207 Output shaft (Hollow shaft)
- 208 Key
- 209 Shaft seal
- 210 Shaft seal
- 211 Circlip
- 212 Shim
- 213 Ball bearing
- 214 Seal
- 215 Gear case cover
- 217 Vent plug
- 218 Seal
- 219 Socket head screw
- 220 Key
- 221 Circlip
- 222 Ball bearing
- 223 Locking cap
- 224 Washer
- 225 Washer
- 226 Socket head screw
- 227 Socket head screw
- 228 Seal
- 229 Supporting disc
- 230 Gearbox cover
- 231 Circlip
- 232 Seal
- 233 Key
- 234 Drain plug
- 235 Seal
- 236 Supporting disc
- 237 Pinion shaft bearing
- 238 Pinion shaft bearing
- 239 Circlip
- 240 Locking cap
- 241 Shim
- 242 Supporting disc
- 243 Gear case
- 250 Locking cap
- 254 Spacer



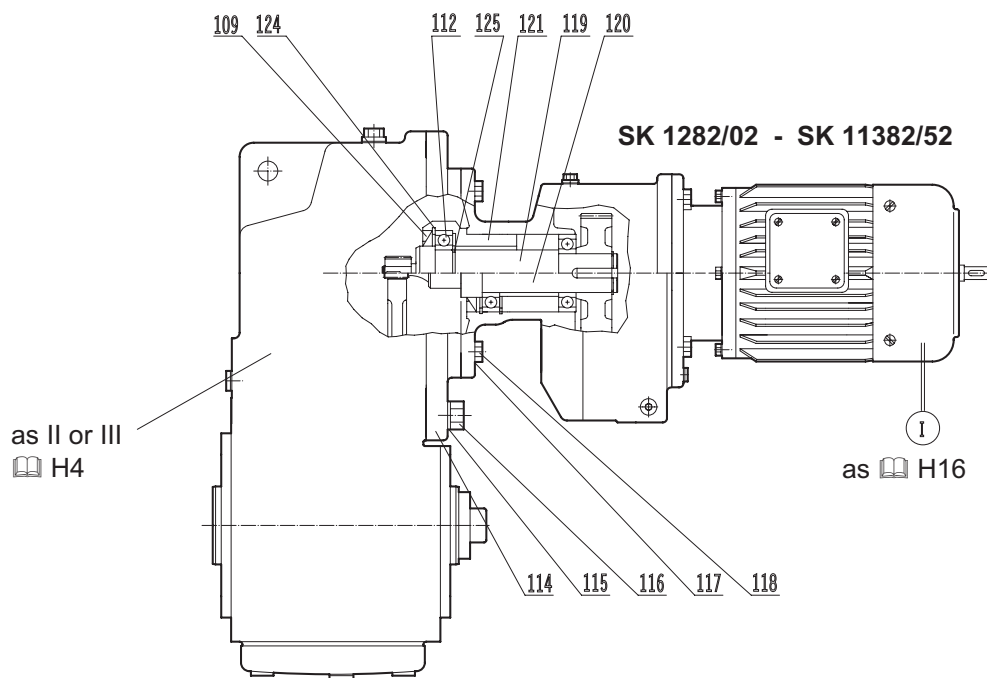
**SK 0282NB +
SK 6282 - SK 11282**

- 201 Driven gear
- 202 Pinion shaft
- 205 Driving gear
- 206 Driving pinion
- 207 Output shaft (Hollow shaft)
- 208 Key
- 209 Shaft seal
- 210 Shaft seal
- 211 Circlip
- 212 Shim
- 213 Ball bearing
- 214 Seal
- 215 Gear case cover
- 217 Vent plug
- 218 Seal
- 219 Socket head screw
- 220 Key
- 221 Circlip
- 222 Ball bearing
- 223 Locking cap
- 224 Washer
- 225 Washer
- 226 Socket head screw
- 227 Socket head screw
- 228 Seal
- 229 Supporting disc
- 230 Gearbox cover
- 231 Circlip
- 232 Seal
- 233 Key
- 234 Drain plug
- 235 Seal
- 236 Supporting disc
- 237 Pinion shaft bearing
- 238 Pinion shaft bearing
- 239 Circlip
- 240 Locking cap
- 241 Shim
- 242 Supporting disc
- 243 Gear case
- 250 Locking cap
- 254 Spacer

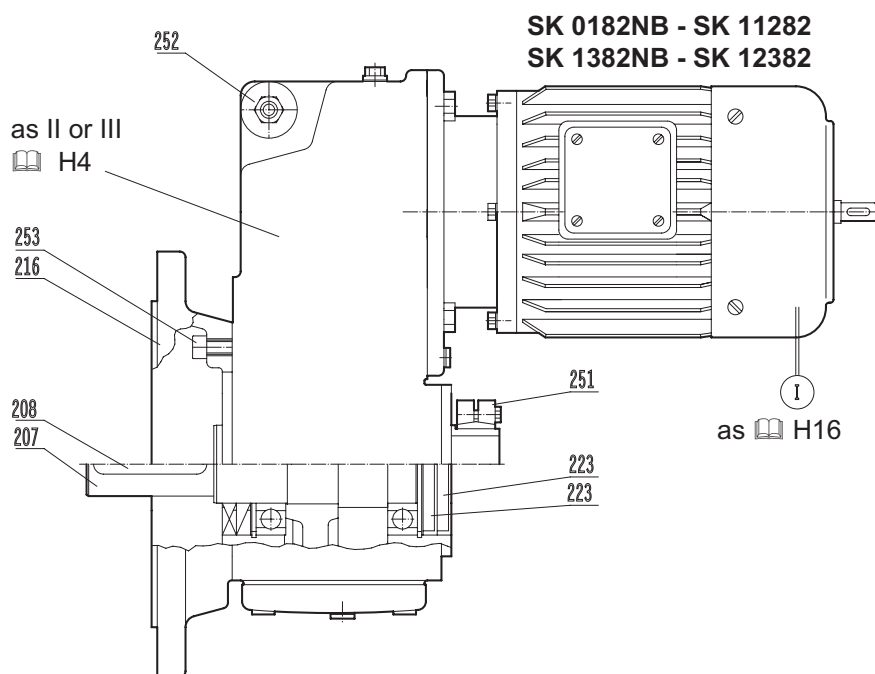


- 5 Driving gear
- 6 Driving pinion
- 27 Fixing bolt
- 28 Seal
- 29 Spacer
- 30 Third reduction gearcase
- 45 Ball bearing
- 46 Key
- 48 Ball bearing
- 52 Circlip
- 53 Key
- 54 Circlip
- 55 Intermediate shaft, plain
- 56 Intermediate shaft, Gearcut
- 57 Circlip
- 58 Circlip
- 59 Shim
- 60 Circlip
- 61 Circlip
- 62 Oil-plug
- 63 Seal
- 203 Driving gear
- 204 Pinion shaft SK 6382 - SK 9382
- 205 Driving gear
- 207 Output shaft (Hollow shaft)
- 208 Key
- 223 Locking cap
- 229 Supporting disc
- 234 Drain plug
- 235 Seal
- 244 Circlip
- 245 Ball bearing
- 246 Key
- 247 Shim
- 248 Ball bearing
- 249 Supporting disc
- 250 Locking cap
- 254 Spacer

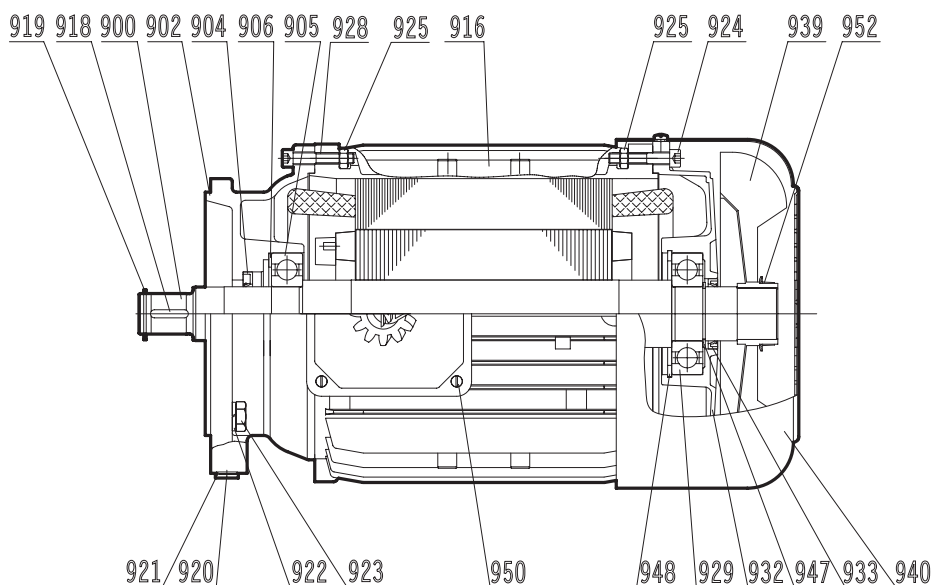
General parts list



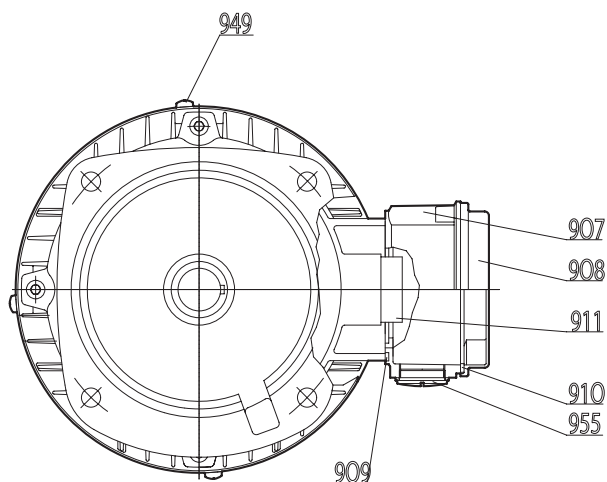
- 109 Shaft seal
- 112 Ball bearing
- 114 Intermediate flange
- 115 Spring washer
- 116 Bolt
- 117 Spring washer
- 118 Bolt
- 119 Intermediate shaft, plain
- 120 Intermediate shaft, gearcut
- 121 Bearing sleeve
- 124 Circlip
- 125 Circlip
- 207 Output shaft
- 208 Key
- 216 Flange
- 223 Locking cap
- 251 Shrink disc connector
- 252 Torque arm
- 253 Socket head screw

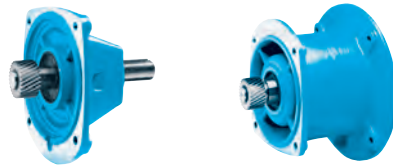


General parts list



- 900 Rotor with shaft
- 902 End shield A
- 904 Shaft seal
- 905 Bearing A
- 906 Bearing shim
- 907 Terminal box frame
- 908 Terminal box cover
- 909 Terminal box frame gasket
- 910 Terminal box cover gasket
- 911 Terminal board
- 916 Stator case
- 918 Key
- 919 Circlip
- 920 Oil-plug
- 921 Seal
- 922 Spring washer
- 923 Hexagon screw
- 924 Collar screw
- 925 Hexagon nut
- 928 Hexagon screw
- 929 Bearing B
- 932 End shield B
- 933 Shaft seal
- 939 Fan
- 940 Fan cover
- 942 Circlip
- 947 Circlip
- 948 Circlip
- 949 Oval flat - head screw
- 950 Oval flat - head screw
- 952 Locking ring
- 955 Plug



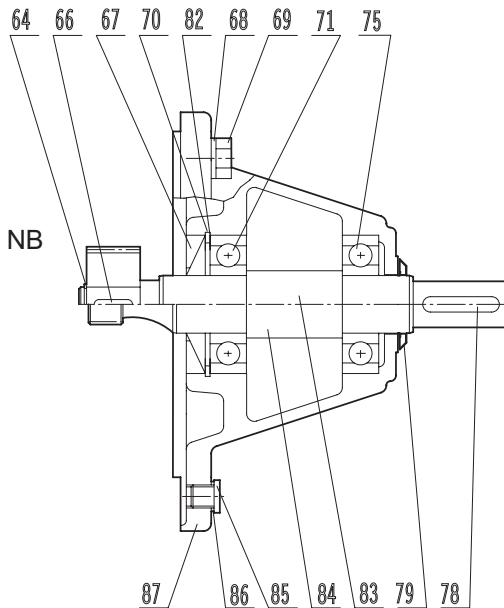


General parts list

Sk 11E - SK 51E
SK 02 - SK 52
SK 03 - SK 63

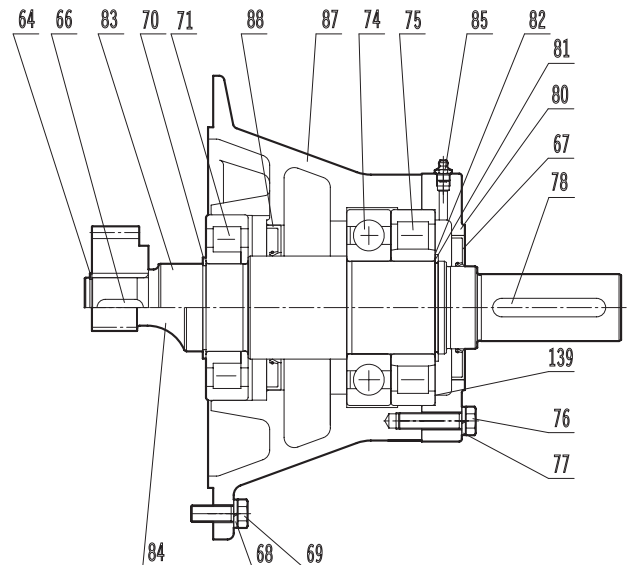
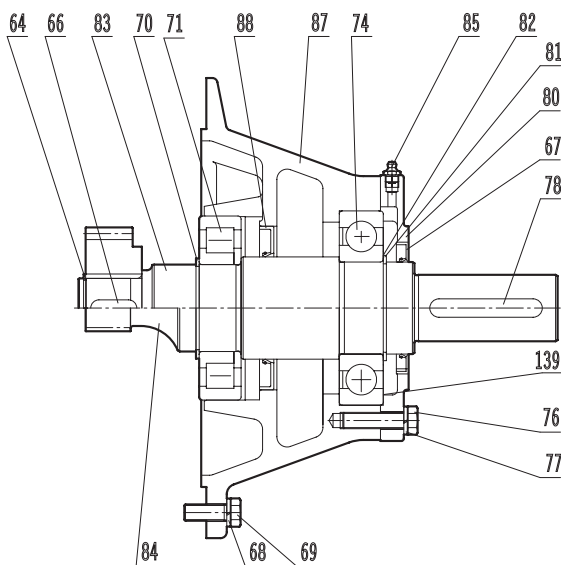
SK 0182 NB - SK 1382 NB
SK 1282 - SK 5282
SK 2382 - SK 6382

SK 02040 - SK 42125
SK 13050 - SK 43125



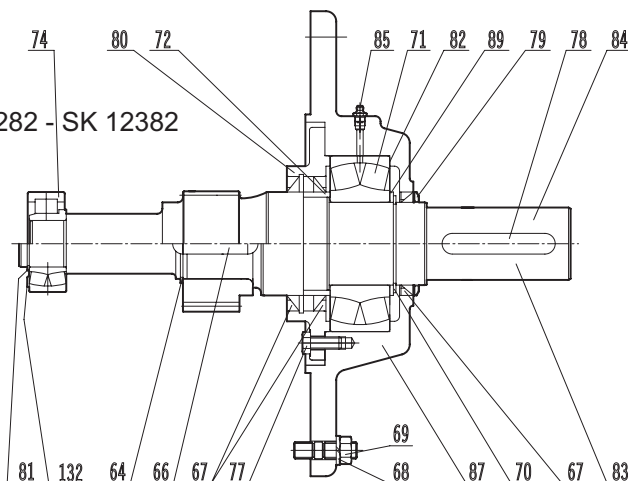
- 64 Circlip
- 66 Key
- 67 Shaft seal
- 68 Washer
- 69 Hexagon screw
- 70 Circlip
- 71 Input shaft bearing
- 74 Ball bearing
- 75 Input shaft bearing
- 76 Washer
- 77 Hexagon screw
- 78 Key
- 79 Oil flinger
- 80 Bearing cover
- 81 Circlip
- 82 Shim
- 83 Input shaft, plain
- 84 Input shaft, gearcut
- 85 Drain plug
- 86 Seal
- 87 Input bearing housing
- 88 Shaft seal (Oil flinger)
- 139 Shim

SK 62 - SK 72 / SK 73 - SK 93
SK 6282 - SK 7282 / SK 7382 - SK 9382
SK 9072.1



SK 82 - SK 102 / SK 103
SK 8282 - SK 9282
SK 9082.1 - SK 9092.1

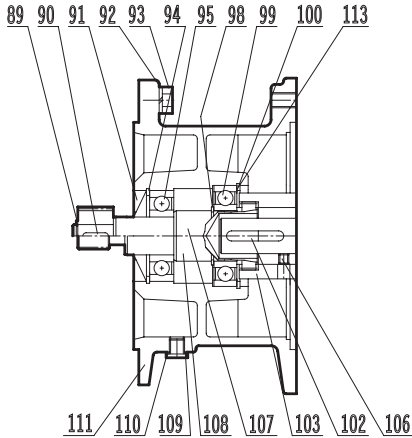
SK 10282 - SK 12382



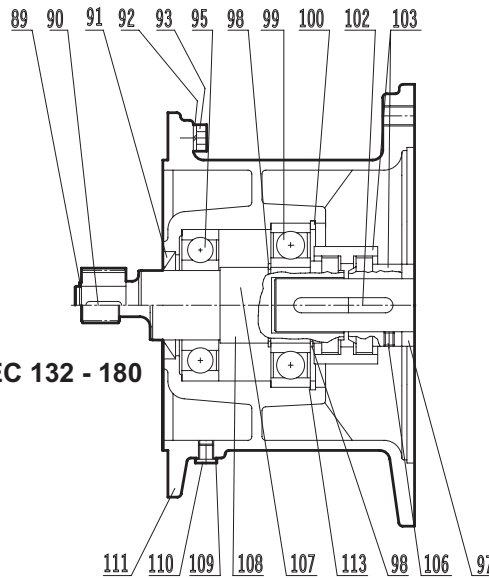
General parts list



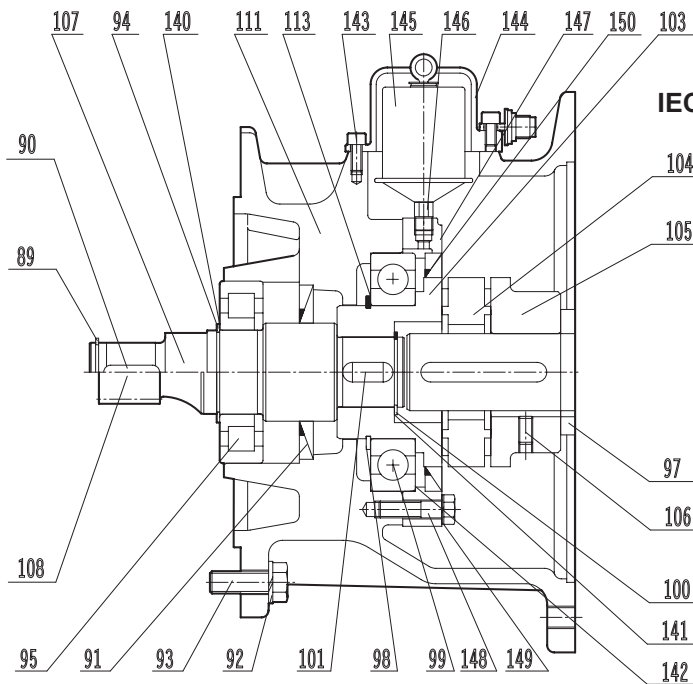
IEC 63 - 112



IEC 132 - 180



IEC 160 - 315



- 89 Circlip
- 90 Key
- 91 Shaft seal
- 92 Washer
- 93 Hexagon screw
- 94 Circlip
- 95 Clutch shaft bearing
- 97 Spacer
- 98 Circlip
- 99 Clutch shaft bearing
- 100 Circlip
- 101 Key
- 102 Key
- 103 Coupling
- 104 Coupling
- 105 Coupling
- 106 Set screw
- 107 Clutch shaft
- 108 Clutch pinion shaft
- 109 Seal
- 110 Oil-plug
- 111 IEC Adapter
- 112 Oil flinger
- 113 Shim
- 140 Shim
- 141 Shim
- 142 Shim
- 143 Socket head screw
- 144 Cover
- 145 Automatic lubricator
- 146 Adapter
- 147 Bearing cover
- 148 Hexagon screw
- 149 Washer
- 150 Shaft seal