

# GETRIEBEBAU NORD

Member of the NORD DRIVESYSTEMS Group

Getriebebau NORD GmbH & Co. KG

Getriebebau-Nord-Straße 1 • 22941 Bargteheide, Germany • www.nord.com



## SK TU4-DEV-C

Part number: 275 281 152

### DeviceNet® – External Bus Interface

The bus interface may only be installed and commissioned by qualified electricians. An electrician is a person who, because of their technical training and experience, has sufficient knowledge with regard to

- Switching on, switching off, isolating, earthing and marking power circuits and devices,
- Proper maintenance and use of protective devices in accordance with defined safety standards.

**DANGER**

### Danger of electric shock

The frequency inverter carries hazardous voltage for up to 5 minutes after being switched off.

- Work must not be carried out unless the frequency inverter has been disconnected from the voltage and at least 5 minutes has elapsed since the mains was switched off.

### Validity of document

This document is only valid in conjunction with the operating instructions of the respective frequency inverter and the bus communication manual for this bus interface (📖 See overview at end of document). These documents contain all of the information that is required for safe commissioning of the bus interface module and the frequency inverter.

### Scope of delivery

1 x	Bus interface	SK TU4-DEV-C
4 x	Hexagonal socket screw	M4 x 40 mm
<b>Accessories required:</b>		
1 x	Bus connection unit TI 275280500	SK TI4-TU-BUS-C Part No.: 275 280 500)



### Usage area

External technology unit for connecting a decentralised frequency inverter (NORDAC *BASE*, NORDAC *FLEX*) to a **DeviceNet** field bus. The bus interface can be mounted on, or in the immediate vicinity of the frequency inverter. This is connected to the inverter via the system bus, and can directly access up to 4 frequency inverters. 4 digital inputs and 2 digital outputs are available.

Technical Information / Datasheet		SK TU4-DEV-C			
DeviceNet Bus module		TI 275281152	V 1.3	0623	en

## Technical Data

### Bus interface

Temperature range	-25 °C...50 °C
Temperature class	Class 3K4
Supply voltage	24 V ± 20 %, ≈ 100 mA Reverse polarity protected

Vibration resistance	3M7
Protection class	IP66
Dimensions [mm]*	H x W x D: 95 x 136 x 91

\* bus interface fitted to bus connection unit

Digital input - working range	Low: 0 V ... 5 V, High: 15 V ... 30 V
Digital input - specific data	R <sub>i</sub> = 8 kΩ, input capacity: 10 nF, response time 1 ms, inputs as per EN 61131-2 type 1
Digital output - 24 VDC power supply	≤ 400 mA (input)
Digital input - working range	Low = 0 V, High = 24 V; max. 200 mA

### Bus specification

DeviceNet	Max. 500 kBit/s								
	electrical isolation 500 V <sub>eff</sub>								
Bus connection	Connection terminals								
Bus termination	via DIP switch on the bus interface								
Status display	4 LEDs								
Topology	Linear bus								
Cable	twisted, shielded two-conductor cable								
Cable length	depending on transmission speed:								
	<table border="1" data-bbox="470 1182 933 1310"> <thead> <tr> <th>Bus cable length</th> <th>Transfer rate</th> </tr> </thead> <tbody> <tr> <td>Up to 100 m</td> <td>500 KBit/s</td> </tr> <tr> <td>100...250 m</td> <td>250 KBit/s</td> </tr> <tr> <td>250...500 m</td> <td>125 KBit/s</td> </tr> </tbody> </table>	Bus cable length	Transfer rate	Up to 100 m	500 KBit/s	100...250 m	250 KBit/s	250...500 m	125 KBit/s
	Bus cable length	Transfer rate							
	Up to 100 m	500 KBit/s							
100...250 m	250 KBit/s								
250...500 m	125 KBit/s								
Shield	via metal cable lead-in to PE								
PE connection	via PE screw cap in terminal box								

### Power

Update interval for process data between bus interface and frequency inverter	≥ 5 ms
Parameter read access on the frequency inverter	< 12 ms
Parameter write access with storage in EEPROM	≈ 25 ms

### Bus interface characteristics

Parametrisation	DeviceNet via Explicit Messages	
Addressing	<b>SK TU3-DEV</b>	<b>SK xU4-DEV</b>
	via Rotary coding switch	via DIP switch
Setting the baud rate	<b>SK TU3-DEV</b>	<b>SK xU4-DEV</b>
	via Rotary coding switch	via DIP switch
Supported DeviceNet connection types	Explicit Messaging Connection	
	Polled I/O Connection	
	Bit Strobe I/O Connection	
	Change of State/Cyclic I/O Connection	
Access for NORD diagnosis tool via	diagnostics socket on the device (if available) and via frequency inverter	

**Installation**

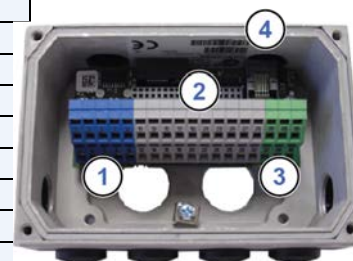
The bus interface must be attached to a suitable connection unit (SK TI4-TU...) and connected using the 4 provided M4 x 40 mm hexagon socket collar screws (Tightening torque 2 Nm). Installation details can be found in the data sheet for the relevant connection units.

## Connections

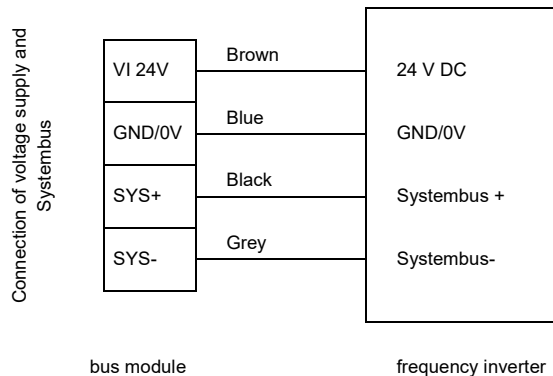
The connection of the field bus lines, signal lines and control lines takes place via the bus connection unit **SK TI4-TU-BUS(-C)**.

Terminals	Double-sprung terminal bar	2 x 18 contacts
Cable cross section	AWG 14-26	rigid: 0,14 ... 2,5 mm flexible: 0.14 ... 1.5 mm with wire end sleeves
PE connection	Via housing	
RJ12	RJ45 - socket	Interface for connecting a parameterisation tool

Potential	Contact	Designation	Description
1	DeviceNet	1	24 V BUS External 24 V supply DeviceNet field bus
		2	24 V BUS External 24 V supply DeviceNet field bus
		3	DVN + IN DeviceNet data cable + (Receive)
		4	DVN + OUT DeviceNet data cable + (Transmit)
		5	DVN - IN DeviceNet data cable - (Receive)
		6	DVN - OUT DeviceNet data cable - (Transmit)
		7	GND BUS Bus reference potential
		8	GND BUS Bus reference potential
		9	SHLD Bus shield
		10	PE Earthing
2	System bus level and digital inputs	11	24 V Supply voltage (+24 V)
		12	24 V Supply voltage (+24 V)
		13	24 V Supply voltage (+24 V)
		14	Sys + System bus data line +
		15	GND Reference potential (0 V/GND)
		16	Sys - System bus data line -
		17	GND Reference potential (0 V/GND)
		18	GND Reference potential (0 V/GND)
		19	DIN 1 Digital input 1
		20	DIN 3 Digital input 3
		21	GND Reference potential (0 V/GND)
		22	GND Reference potential (0 V/GND)
		23	24 V Supply voltage (+24 V)
		24	24 V Supply voltage (+24 V)
		25	DIN 2 Digital input 2
		26	DIN 4 Digital input 4
		27	GND Reference potential (0 V/GND)
		28	GND Reference potential (0 V/GND)
		29	24 V Supply voltage (+24 V)
		30	24 V Supply voltage (+24 V)
3	Digital outputs	31	24V o DO Supply voltage (+24 V)
		32	GND o DO Reference potential (0 V / GND) of the digital outputs
		33	DO 1 Digital output 1 (+24 V, 500 mA)
		34	DO 2 Digital output 2 (+24 V, 500 mA)
		35	GND o DO Reference potential (0 V / GND) of the digital outputs
		36	GND o DO Reference potential (0 V / GND) of the digital outputs
4	Diagnosis	RJ12 - 1	RS485_A Data cable RS485
		RJ12 - 2	RS485_B Data cable RS485
		RJ12 - 3	GND Reference potential (GND)
		RJ12 - 4	RS232_TxD Data cable RS232
		RJ12 - 5	RS232_RxD Data cable RS232
		RJ12 - 6	24 V Supply voltage (+24 V)



### Connection examples

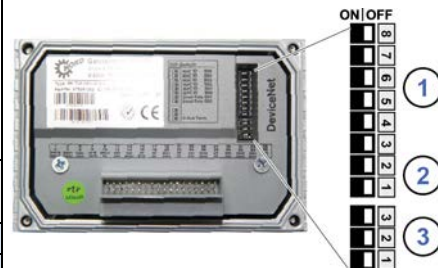


### Configuration

The bus address (MAC ID), the bus interface (1) and the baud rate (2) are set via the DIP switches. The DIP switch settings are read in after a “Power On” of the bus interface.

If the bus interface is the final subscriber on the DeviceNet field bus or the NORD system bus, the terminating resistor (3) must be activated.

DIP switch	Meaning	Department	Meaning
8	MAC ID Bit 5	Addressing	Bus address (MAC ID) of bus interface
7	MAC ID Bit 4		
6	MAC ID Bit 3		
5	MAC ID Bit 2		
4	MAC ID Bit 1		
3	MAC ID Bit 0	Baud rate	Bus interface baud rate
2	Baud rate bit 1		
1	Baud rate bit 0	Bus terminal	Not used (position "OFF")
3	—		Not used (position "OFF")
2	—		Termination resistor for NORD system bus
1	S-Bus Term.		



Factory settings DIP switches: **OFF**

#### 1. Addressing (DIP 8 ... 3)

The setting of the bus address takes place with binary coding using DIP switches 8...3.  
Address area "0"..."63".

#### 2. Baud rate (DIP 2 ... 1)

The setting of the node ID takes place with binary coding using DIP switches 2...1.

DIP switch 2	DIP switch 1	Baud rate
OFF	OFF	125 kBaud
OFF	ON	250 kBaud
ON	OFF	500 kBaud

#### 3. Termination resistor (DIP 3...1)

Set DIP switch 1 to the “ON” position if the bus interface is the final subscriber on the NORD system bus.

DIP switches “3” and “2” must be in the “OFF” position.

### Information

#### Field bus termination

In accordance with the DeviceNet specification, an external terminating resistor of 120 Ω must be set at each physical end of the DeviceNet field bus.

## LED indicators

The operating statuses of the bus interface are visualised using LED indicators.

No.	Name	Colour	Meaning
1	NS	red/green	DeviceNet Network status
	MS	red/green	DeviceNet Module status
2	EN	red	Device error
	DS	green	Device State



### DeviceNet-specific LED

MS (DeviceNet Module status)	Meaning
<b>OFF</b>	No voltage supply
<b>Steady illumination in green</b>	Bus interface ready
<b>Flashing green (0.5 s)</b>	Bus interface in standby mode. No connection to one or more frequency inverters. No parameters exchanged, setpoint specifications via the AC profile not possible. Baud rate setting for DeviceNet field bus is invalid.
<b>Steady illumination in red</b>	A fault that cannot be acknowledged has occurred. The bus interface may be defective and must be replaced.
<b>Flashing red (0.5 s)</b>	A fault that can be acknowledged has occurred on the bus interface.

NS (DeviceNet Network status)	Meaning
<b>OFF</b>	No voltage supply. The bus interface has not performed the "DUP_MAC_ID" test.
<b>Steady illumination in green</b>	Normal operation, cyclic data exchange via DeviceNet field bus.
<b>Flashing green (0.5 s)</b>	Bus interface is "Online" and has performed the "Dup_Mac_ID" test but has not established a connection to field bus subscribers.
<b>Steady illumination in red</b>	A serious communication error has occurred (e.g. bus off, duplicated bus address or invalid baud rate setting).
<b>Flashing red (0.5 s)</b>	The I/O connection or the function of parameter P151 has triggered a timeout error. The flash code is displayed for at least 5 seconds.

## NORD-specific LEDs

DS (Device State)	DE (Device Error)	Meaning
		long flashing = 0.5 s on / 1 s off short flashing = 0.25 s on / 1 s off
<b>OFF</b>	<b>OFF</b>	Bus interface not ready, no control voltage
<b>ON</b>	<b>OFF</b>	Bus interface ready, no error, at least one frequency inverter is communicating via the system bus
<b>ON</b>	<b>Short flashing</b>	Bus interface ready, but <ul style="list-style-type: none"> <li>• One or more of the connected frequency inverters has fault status</li> </ul>
<b>Long flashing</b>	<b>OFF</b>	Bus interface ready and at least one other subscriber is connected to the system bus, but <ul style="list-style-type: none"> <li>• No frequency inverter on the system bus (or connection interrupted)</li> <li>• One or more system bus subscriber has an address error</li> <li>• Software incompatible (bus interface software and FI software incompatible - update required)</li> </ul>
<b>Long flashing</b>	<b>Short flashing</b> Flash interval 1 x - 1 s pause	System bus is in status "Bus Warning" <ul style="list-style-type: none"> <li>• Communication on system bus disrupted</li> <li>• No other subscribers present on system bus</li> <li>• Module not inserted correctly or no connection to system bus</li> <li>• Frequency inverter has no supply voltage</li> </ul>
<b>Long flashing</b>	<b>Short flashing</b> Flash interval 2 x - 1 s pause	System bus is in status "Bus Off" <ul style="list-style-type: none"> <li>• The system bus 24 V power supply has been interrupted during operation</li> </ul>
<b>Long flashing</b>	<b>Short flashing</b> Flash interval 3 x - 1 s pause	System bus is in status "Bus Off" <ul style="list-style-type: none"> <li>• The 24 V voltage supply of the system bus is missing</li> </ul>
<b>Long flashing</b>	<b>Short flashing</b> Flash interval 4 x - 1 s pause	Bus interface error <ul style="list-style-type: none"> <li>• See parameter P170</li> </ul>
<b>OFF</b>	<b>Short flashing</b> Flash interval 1 x - 1 s pause	System error, internal program sequence interrupted <ul style="list-style-type: none"> <li>• EMC interference (observe the wiring guidelines!)</li> <li>• Bus interface defective</li> </ul>

## Parameter access and diagnosis

The NORDCON software or optional control units such as the SK PAR-3H ParameterBox provide convenient access to the parameters of the bus interface and allow status information to be read out. In addition, the NORDCON *APP* – in connection with the NORDAC *ACCESS BT* Bluetooth stick – offers a practical way of mobile and wireless maintenance as well as commissioning of NORD frequency inverters.

Access is via the RJ12 diagnostics socket of the frequency inverter. The prerequisite for this is that the bus interface is connected to the frequency inverter via the system bus.

Direct access via the RJ12 diagnostic socket of the bus connection unit is also possible.

## Further documentation and software ([www.nord.com](http://www.nord.com))

Software	Description
<a href="#">EDS-file</a>	Electronic Data Sheet (Object data file)

Software	Description
<a href="#">NORDCON</a>	Parametrisation and diagnostic software

Document	Description
<a href="#">BU 0000</a>	Description of NORDCON software
<a href="#">BU 0040</a>	Parameter box manual
<a href="#">BU 0180</a>	Frequency inverter manual NORDAC <i>BASE</i>
<a href="#">BU 0200</a>	Frequency inverter manual NORDAC <i>FLEX</i>
<a href="#">BU 0250</a>	Frequency inverter manual NORDAC <i>LINK</i>
<a href="#">BU 2600</a>	DeviceNet bus communication manual

Document	Description
<a href="#">TI 275280500</a>	Bus connection unit SK TI4-TU-BUS-C
<a href="#">TI 275274505</a>	SK TIE4-M12-SYSS System bus connection expansion exit
<a href="#">TI 275274506</a>	SK TIE4-M12-SYSS System bus connection expansion entrance
<a href="#">TI 275274515</a>	SK TIE4-M12-CAO-OUT CANopen connection expansion output
<a href="#">TI 275274501</a>	SK TIE4-M12-CAO CANopen connection expansion entrance