

SK TIE4-PE-M12-V2A

Part number: 275 274 034

Connection extension

Protective earthing connection SK 200E size 1 - 3

Scope of delivery

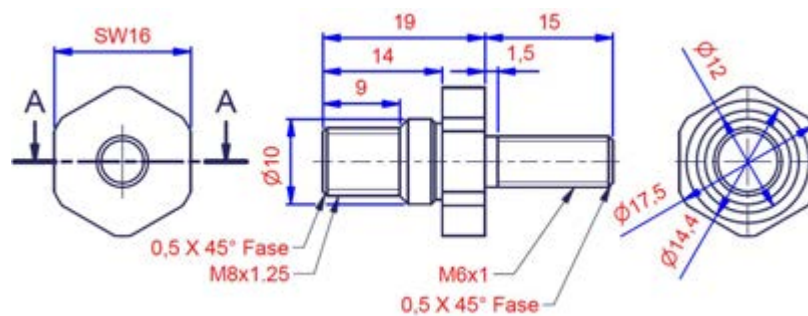
1 x	PE connection bit with O-ring	
1 x	Hexagonal nut	M 8
1 x	Serrated lock washer	M 8
1 x	Washer	M 6
1 x	Spring lock washer	A 6
1 x	Hexagonal nut	M 6



Field of use


Optional protective earthing to meet the requirements for fixed installation according to DIN EN 61800-5-1 for conductor cross-sections up to 10 mm² (Cu) or as second protective earthing connection. Among other things, this is mandatory if a NORDAC Flex (SK 2xxE, size 1 to 3) frequency inverter is wall-mounted in ATEX Zone 22 / 3D. The PE connection bit is screwed into the left or right side of one of the 3 lower M12 option slots (6L to 8L or 6R to 8R) of the connection unit.

Dimensions




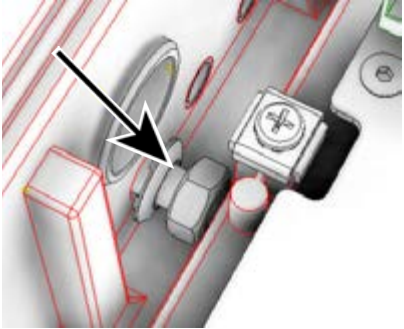


Details in millimetres

Installation / option locations

Device series	Recommended option location	Option locations
SK 200E Frequency inverter connecting unit SK TI4-x-2xx-x (-C)	6R / 6L, 7R / 7L, 8R / 8L	

Technical Information / Datasheet	SK TIE4-PE-M12-V2A			
Connection extension	TI 275274034	V 1.0	3517	en

Assembly

1 st	Remove the M12 blind plug from one of the side option slots (right/left) of the frequency inverter.	
2 nd	Fasten the <i>PE connection bit</i> into the connection unit with the <i>contact serrated lock washer</i> and the <i>M8 hexagon nut</i> (tightening torque 6 Nm).	 <p>Connection unit - inside view</p>
3.	The protective earthing conductor with ring cable lug is fastened with the <i>washer</i> , the <i>spring lock washer</i> and the <i>M6 hexagon nut</i> to the outside of the <i>PE-connection bit</i> with a torque of 3 Nm.	 <p>Connection unit - outside view</p>
	Connection extension SK TIE4-PE-M12-V2A , mounted on the connection unit of an SK 200E frequency inverter, with the protective earthing conductor connected.	

Further documentation (www.nord.com)

Document	Designation
BU 0200	SK 2xxE frequency inverter manual
TI 80-0019	The dimensioning of the protective conductor