

Adapter module

Part number: 278 910 360

Level adapter HTL – RS422

Level converter HTL – RS422

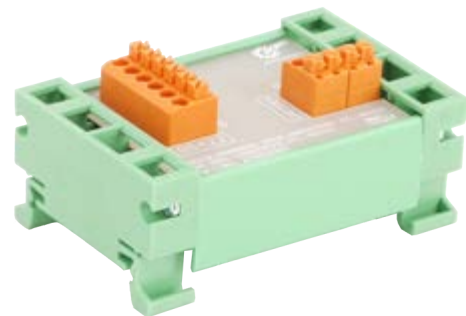
NOTICE

Validity of this document

This document is only valid in combination with the operating instructions for the particular frequency inverter. Safe commissioning of this module and the frequency inverter depends on the availability of this information.

Scope of delivery

1 x	Module	Adapter module
-----	--------	----------------



Field of use

The module, which is intended for installation on a snap-on rail, is used to convert HTL or TTL signals into complementary signals with RS422 levels. Use of the module is recommended if an HTL encoder is used at the encoder interface of a NORDAC *PRO* - SK 5xxE series frequency inverter.

Technical Information / Datasheet	Adapter module, level adapter HTL-RS422			
Connection extension	TI 278910360	V 1.0	3517	en

Technical Data

Module

Ambient temperature	-25 °C ... +75 °C
Protection class	IP20

Weight	41 g
Dimensions [mm]	L x W x H: 70 x 45 x 35

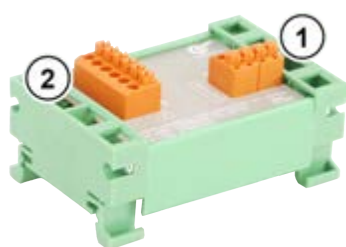
Electrical data

Electrical connection	Spring-loaded terminals
Input voltage	10 ... 30 V DC
Input level "0"	≤ 0.8 V
Input level "1"	≥ 2.4 V
Max. output voltage	+ 5.5 V DC
Typical output	current: 45 mA (120 Ω) Maximum: 100 mA
Signal delay	
Rising flank	250 ns
Falling flank	750 ns
Protection	
Power supply	Reverse polarity protected
Outputs	Short-circuit protected
Overtemperature	Switch-off at 150 °C

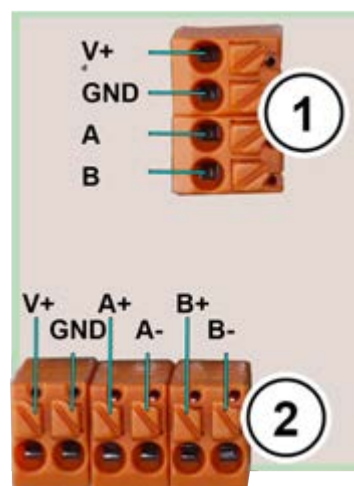
Cross-section	20-16 AWG
Connection terminals	(0.5 – 1.5 mm ²)
Power consumption	10 mA (own consumption)
Max. frequency	100 kHz
Max. cable lengths	
RS422	1200 m
Frequency inverter	500 m at 100 kHz
Tests	
EN61000-4-2 ESD	4 kV contact discharge 8 kV air discharge
EN61000-4-4 Burst	1 kV signal cables 2 kV power supply
EN61000-4-5 Surge	1 kV signal cables 2 kV power supply

Connections

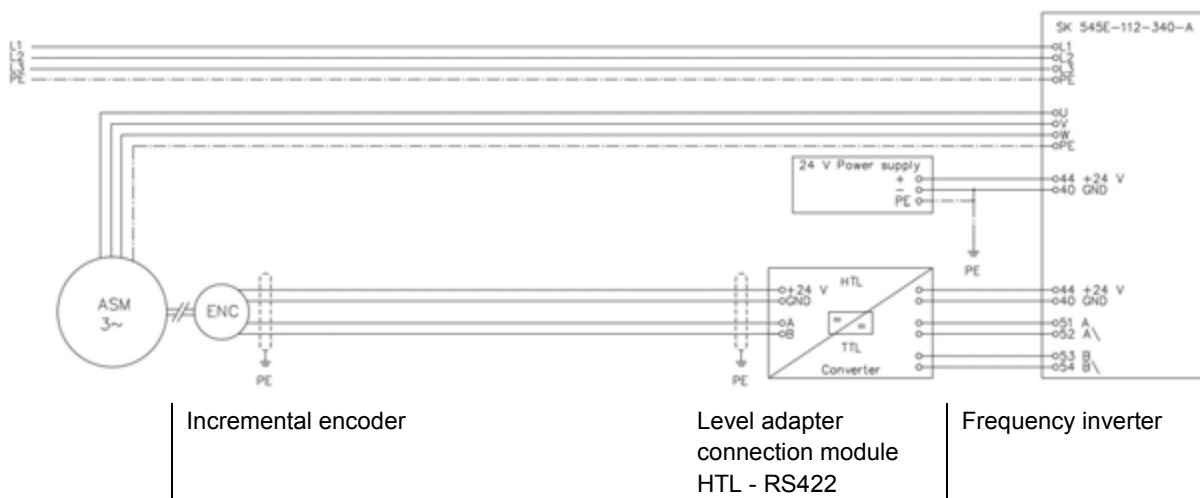
Connect the signal cable according to the adjacent illustration.



- 1 Incremental encoder
- 2 Frequency inverters



Electrical connection (example)



Additional documentation and software (www.nord.com)