

GETRIEBEBAU NORD

Member of the NORD DRIVESYSTEMS Group

Getriebebau NORD GmbH & Co. KG

Getriebebau-Nord-Straße 1 • 22941 Bargteheide, Germany • www.nord.com



Kabel Set AG4 xxM

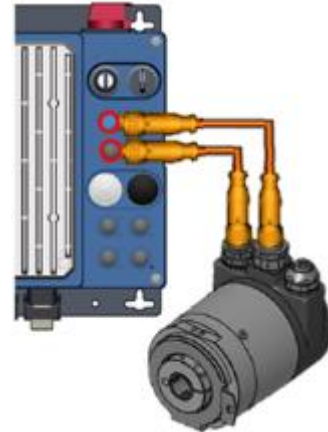
Cable Set AG4

Scope of supply

1 x	Cable AG-IG for Incremental encoder connection
1 x	Cable AG4-AG for Absolute encoder connection

Part number	Cable length
275 274 640	1.5 m
275 274 641	3 m
275 274 642	5 m
275 274 643	10 m

Cable set for connection of NORD option:
"AG4" absolute encoder (AG&IG CANopen)



DANGER!

Danger of electric shock

The frequency inverter continues to carry hazardous voltages for up to 5 minutes after it was switched off.

- Work must not be carried out unless the device has been disconnected from the voltage and at least 5 minutes have elapsed since the mains was switched off!

Field of use

The cables are usable for the following NORD encoder:

- AG4

Necessary inverter conditions

The frequency inverter must be equipped with following M12-plugs:

- SK TIE4-M12-HTL (for incremental encoder connection)
- SK TIE4-M12-SYSS (for absolute encoder connection)

Technical Information / Datasheet	Kabel Set AG4 xxM			
Specification of connection cable	TI_275274640-643	2.0	0820	en

Technical Data

Specification	M12-plug (Cable AG-IG)	
	Male (M)	Female (F)
Connected to	Incremental encoder	
Contact quantity	4-poles	5-poles
Coding	B – coded	B – coded
Contact type	Male (M)	Female (F)
Screw M12x1	Screw	Nut
Used contacts	4	

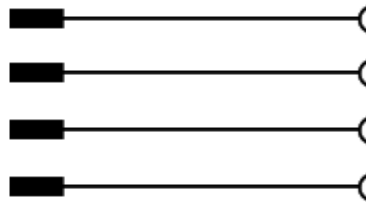
Specification	M12-plug (Cable AG4-AG)	
	Female (F)	Female (F)
Connected to	Absolute encoder	
Contact quantity	5-poles	
Coding	A – coded	A – coded
Contact type	Female (F)	Female (F)
Screw M12x1	Nut	Nut
Used contacts	4	

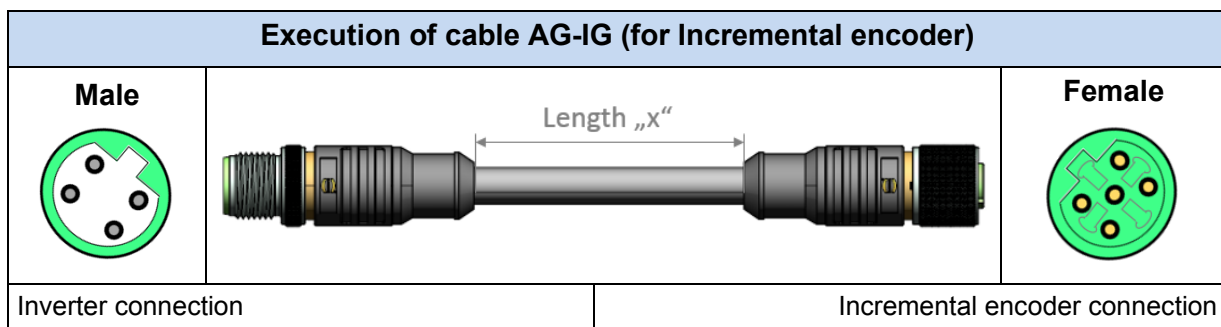
General values for M12-plugs	
Rated current	2 A
Rated voltage	Max. 60 V
Construction type	straight
Protection (screwed)	IP67
Breakaway torque	0,6 Nm
Pollution degree	3

Specification	Cable specification for AG-IG & AG4-AG
AWM Style	20233
Wire cross section	2x 2x 0.34 mm ²
Bending radius	4x cable diameter
Outside diameter	7.2 mm (+/- 0.2)
Conductor material / type	Cu, finely stranded
Operation temperature	-10 up to +80 °C
Rated current	Max. 2 A
Rated voltage	Max. 60 V DC
Braid shield coverage	Existent, >= 85%
Shield material	Tinned copper
Installation type	Fixed laying
Jacket material	PUR
Jacket color	Grey (RAL 7001)
Wire isolation	PP
Drag chain compatibility	No
Halogen-free	Yes
Flammability test	FT2

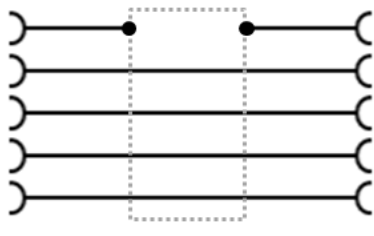
PIN assignment:


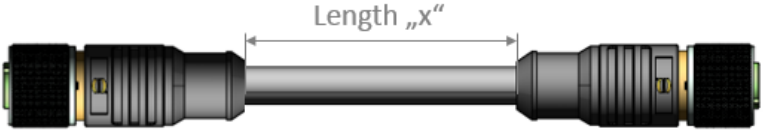

Cable AG-IG (for incremental encoder)

Function	PIN Male (M) electronic	Schematic diagram	PIN Female (F) encoder IG	Function
+24V DC	1		1	+24V DC
Track „B“	2		2	Track „B“
GND	3		3	GND
Track „A“	4		4	Track „A“
Not used			5	--



Cable AG4-AG (for absolute encoder)

Function	PIN Female (F) electronic	Schematic diagram	PIN Female (F) encoder AG	Function
CAN_Shield	1		1	CAN_Shield
Not used	2		2	Not used
GND	3		3	GND
CAN_H	4		4	CAN_H
CAN_L	5		5	CAN_L

Execution of cable AG4-AG (for Absolute encoder)		
Female 		Female 
Inverter connection		Absolute encoder connection

Nord part numbers of encoder cable sets AG4

CABLE SET AG4		Standalone cables of AG4 (Cable set content)	
Length:	p/n	Name	p/n
1,5 m	275 274 640	AG: AG-CABLE SK CE-A5F-AGC-A5F-1_5M	275 274 890
		AG: IG-CABLE SK CE-B4M-IGC-B5F-1_5M	275 274 895
3 m	275 274 641	AG: AG-CABLE SK CE-A5F-AGC-A5F-3_0M	275 274 891
		AG: IG-CABLE SK CE-B4M-IGC-B5F-3_0M	275 274 896
5 m	275 274 642	AG: AG-CABLE SK CE-A5F-AGC-A5F-5_0M	275 274 892
		AG: IG-CABLE SK CE-B4M-IGC-B5F-5_0M	275 274 897
10 m	275 274 643	AG: AG-CABLE SK CE-A5F-AGC-A5F-10M	275 274 893
		AG: IG-CABLE SK CE-B4M-IGC-B5F-10M	275 274 898