

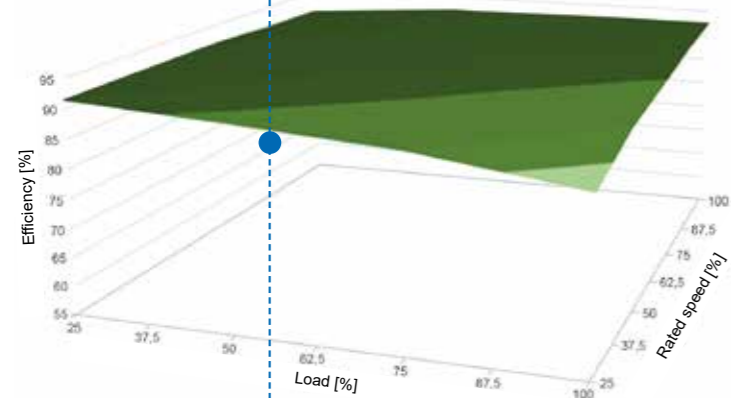
EFFICIENCY COMPARISON

IE5+ SYNCHRONOUS MOTOR / IE3 ASYNCHRONOUS MOTOR



INTELLIGENT DRIVESYSTEMS, WORLDWIDE SERVICES

IE5+ synchronous motor

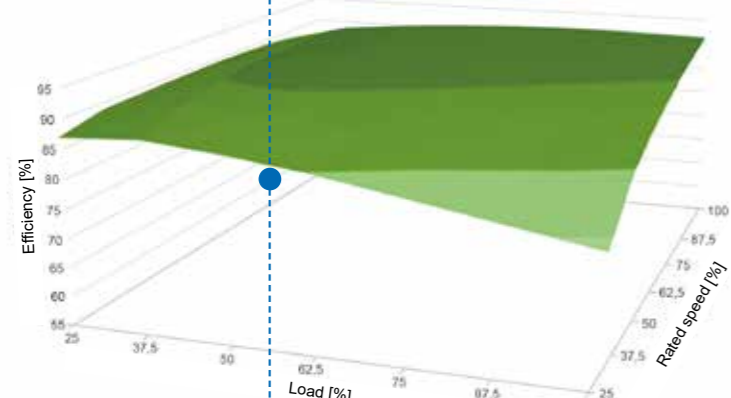


The new IE5+ synchronous motor is characterised by its very high efficiency rating. Compared to asynchronous motors, high energy savings are possible, especially in the partial load and partial speed range.* This minimises the customer's TOC.

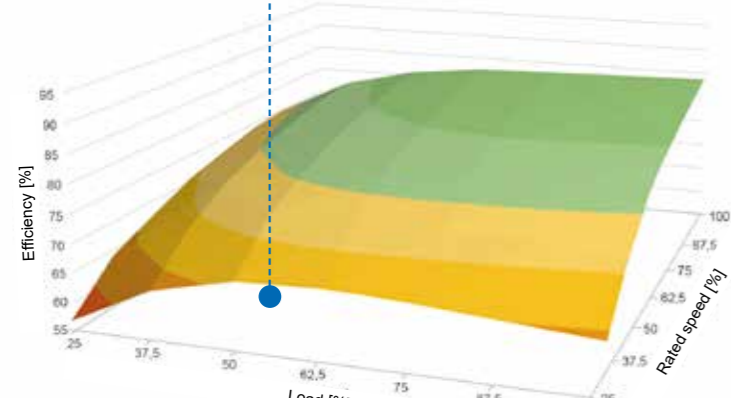
* Efficiency example: Load 50 % / speed 37.5 %



IE4 synchronous motor



IE3 asynchronous motor



EFFICIENT

HYGIENIC

COMPACT

NEW



NORD DRIVESYSTEMS Group

- Family business from Bargteheide near Hamburg with 3,900 employees
- Drive solutions for more than 100 branches of industry
- 7 production locations worldwide
- Present in 98 countries on 5 continents
- More information: www.nord.com

Headquarters:

Getriebebau NORD GmbH & Co. KG
 Getriebebau-Nord-Str. 1
 22941 Bargteheide, Germany
 T +49 4532 289 0, F +49 4532 289 2253
info@nord.com

Member of the NORD DRIVESYSTEMS Group

S9012 Mat.-Nr.: 6165002/0520



SYNCHRONOUS MOTOR WITH
IE5+ ENERGY EFFICIENCY



NORD IE5+ SYNCHRONOUS MOTOR

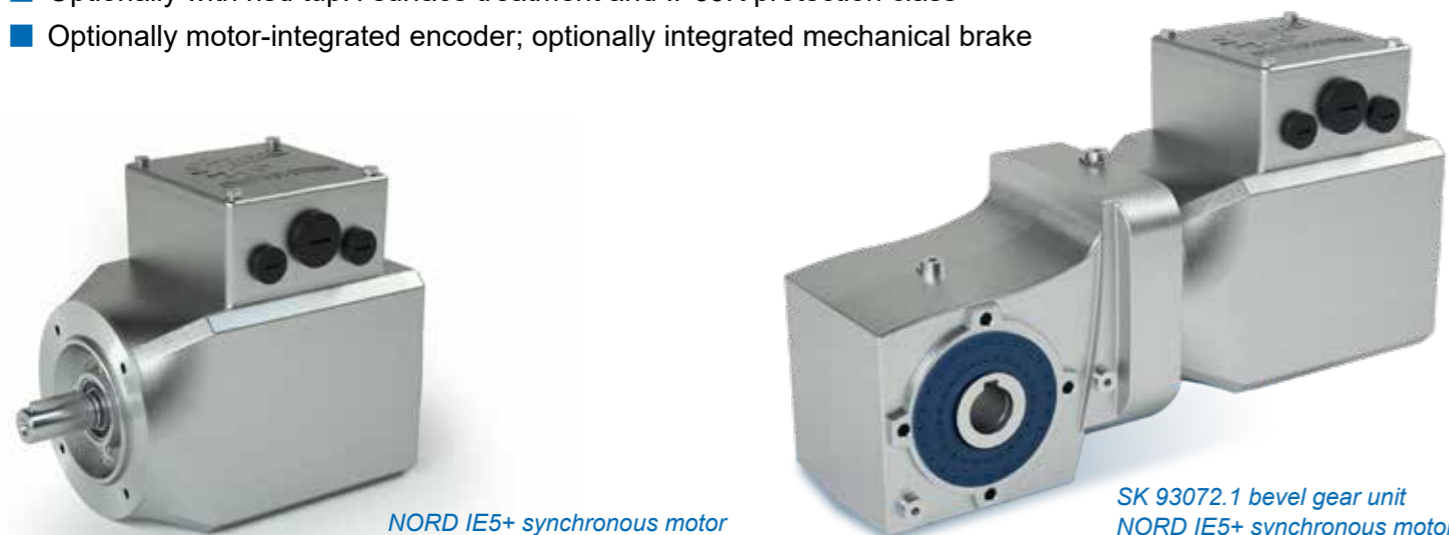
EFFICIENT, HYGIENIC AND COMPACT

The new generation of IE5+ motors are especially suitable for reducing operating costs in wash-down applications:

- Highest operational efficiency with IE5 technology
- Reduced TOC and fast ROI
- Reduction of versions through constant torque over a wide speed range
- Easy to clean and corrosion-proof due to smooth and fanless motor design
- Fully matched modular NORD system solution with inverter, gear unit and motor
- Compact and hygienic design for ultimate application diversity

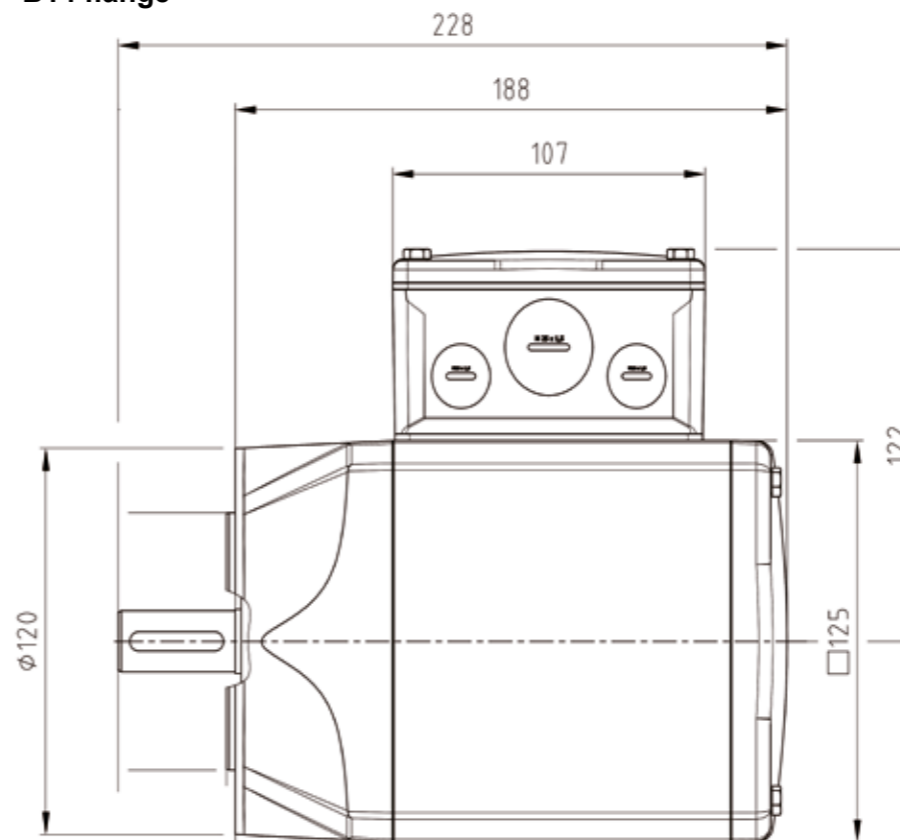
Features:

- Latest generation permanent magnet synchronous motor (PMSM)
- Power range from 0.35 to 1.1 kW in a single size
- IEC B14 flange mounting, IEC B5 flange mounting, NEMA C-face flange mounting, direct mounting to all NORD gear units
- Continuous torque of 1.6 to 4.8 Nm in a single size
- Speed range from 0 to 2,100 rpm
- Optionally with nsd tupH surface treatment and IP69K protection class
- Optionally motor-integrated encoder; optionally integrated mechanical brake



Type	Size	Voltage [V]	Stator connection	Frequency [Hz]	M _N [Nm]	M _N [lb-in]	n _N [rpm]	P _N [kW]	P _N [hp]	I _{400V} [A]	η [%]	cos [Φ]	M _{max} [Nm]	Peak current [A]	Efficiency class
SK 71N1/8	IEC 71	400	Y	140	1,6	14,16	2100	0,35	0,5	0,76	89,1	0,95	4,8	2,28	IE5+
SK 71N2/8				140	3,2	28,32	2100	0,70	0,9	1,45	92,5		9,6	4,35	
SK 71N3/8				140	4,8	42,48	2100	1,10	1,5	2,14	93,6		14,4	6,42	

IEC motor, B14 flange



Reduction of versions

By way of a targeted reduction of versions, it is possible to minimise administrative expenses and to set up leaner manufacturing, logistics, storage and service processes. The new generation of IE5 motors combines the benefits of the modular system with the possibilities of reducing variants. The solution will be tailored to each customer and features the following advantages:

- Motor is operable worldwide
- Utilisation of the high system overload capacity
- Wide speed range
- Explicitly tailored to the individual load range
- Minimal space requirements paired with high power density



Sealed Surface Conversion System

NORD geared motors with nsd tupH are the optimal choice for use in challenging environmental conditions.

- Easy to clean surfaces
- Resistant to acids and alkalis (wide pH range)
- No spreading of corrosion, even if damaged
- No flaking
- Corrosion-resistant – no contact corrosion
- Conforms to FDA Title 21 CFR 175.300
- Free from chromates

The complete solution for extreme conditions

- Surface-treated housing components
- DIN and standard components made from stainless steel
- Wash-down housing (gear unit and motor)
- Stainless steel shafts
- Special shaft sealing rings
- Food grade oil