

## SK TU4-DEV-C

Part number: 275 281 152

### DeviceNet® – External Bus Interface

The bus interface may only be installed and commissioned by qualified electricians. An electrician is a person who, because of their technical training and experience, has sufficient knowledge with regard to

- Switching on, switching off, isolating, earthing and marking power circuits and devices,
- Proper maintenance and use of protective devices in accordance with defined safety standards.

### DANGER

### Danger of electric shock

The frequency inverter carries hazardous voltage for up to 5 minutes after being switched off.

- Work must not be carried out unless the frequency inverter has been disconnected from the voltage and at least 5 minutes has elapsed since the mains was switched off!

### NOTICE

### Validity of document

This document is only valid in conjunction with the operating instructions of the respective frequency inverter and the bus communication manual for this bus interface (📖 See overview at end of document). These documents contain all of the information that is required for safe commissioning of the bus interface module and the frequency inverter.

### Scope of delivery

1 x	Bus interface	SK TU4-DEV-C
4 x	Hexagonal socket screw	M4 x 40 mm
<b>Accessories required:</b>		
1 x	Bus connection unit TI 275280500	SK TI4-TU-BUS-C Part No.: 275 280 500)



### Usage area

External technology unit for connecting a decentralised frequency inverter (SK 2xxE) to a **DeviceNet** field bus. The bus interface can be mounted on, or in the immediate vicinity of the frequency inverter. This is connected to the inverter via the system bus, and can directly access up to 4 frequency inverters. 4 digital inputs and 2 digital outputs are available.

Technical Information / Datasheet	SK TU4-DEV-C			
DeviceNet Bus module	TI 275281152	V 1.0	4116	EN

## Technical Data

### Bus interface

Temperature range	-25 °C...50 °C	Vibration resistance	3M7
Temperature class	Class 3K4	Firmware version	V1.5 R0
Protection class	IP66	Hardware version	AA
Supply voltage	24 V ± 20 %, ≈ 100 mA Reverse polarity protected	Dimensions [mm]*	H x W x D: 95 x 136 x 91

\* bus interface fitted to bus connection unit

Digital input - working range	Low: 0 V ... 5 V, High: 15 V ... 30 V
Digital input - specific data	R <sub>i</sub> = 8 kΩ, input capacity: 10 nF, response time 1 ms, inputs as per EN 61131-2 type 1
Digital output - 24 VDC power supply	≤ 400 mA (input)
Digital input - working range	Low = 0 V, High = 24 V; max. 200 mA

### Bus specification

DeviceNet	Max. 500 kBit/s electrical isolation 500 V <sub>eff</sub>								
Bus connection	Connection terminals								
Bus termination	via DIP switch on the bus interface								
Status display	4 LEDs								
Topology	Linear bus								
Cable	twisted, shielded two-conductor cable								
Cable length	depending on transmission speed: <table border="1" data-bbox="454 1176 917 1299"> <thead> <tr> <th>Bus cable length</th> <th>Transfer rate</th> </tr> </thead> <tbody> <tr> <td>Up to 100 m</td> <td>500 KBit/s</td> </tr> <tr> <td>100...250 m</td> <td>250 KBit/s</td> </tr> <tr> <td>250...500 m</td> <td>125 KBit/s</td> </tr> </tbody> </table>	Bus cable length	Transfer rate	Up to 100 m	500 KBit/s	100...250 m	250 KBit/s	250...500 m	125 KBit/s
Bus cable length	Transfer rate								
Up to 100 m	500 KBit/s								
100...250 m	250 KBit/s								
250...500 m	125 KBit/s								
Shield	via metal cable lead-in to PE								
PE connection	via PE screw cap in terminal box								

### Power

Update interval for process data between bus interface and frequency inverter	< 5 ms
Parameter read access on the frequency inverter	< 12 ms
Parameter write access with storage in EEPROM	≈ 25 ms

### Bus interface characteristics

Parametrisation	DeviceNet via Explicit Messages				
Addressing	<table border="1" data-bbox="790 1713 1244 1780"> <tr> <th>SK TU3-DEV</th> <th>SK xU4-DEV</th> </tr> <tr> <td>via Rotary coding switch</td> <td>via DIP switch</td> </tr> </table>	SK TU3-DEV	SK xU4-DEV	via Rotary coding switch	via DIP switch
SK TU3-DEV	SK xU4-DEV				
via Rotary coding switch	via DIP switch				
Setting the baud rate	<table border="1" data-bbox="790 1780 1244 1848"> <tr> <th>SK TU3-DEV</th> <th>SK xU4-DEV</th> </tr> <tr> <td>via Rotary coding switch</td> <td>via DIP switch</td> </tr> </table>	SK TU3-DEV	SK xU4-DEV	via Rotary coding switch	via DIP switch
SK TU3-DEV	SK xU4-DEV				
via Rotary coding switch	via DIP switch				
Supported DeviceNet connection types	<ul style="list-style-type: none"> <li>• Explicit Messaging Connection</li> <li>• Polled I/O Connection</li> <li>• Bit Strobe I/O Connection</li> <li>• Change of State/Cyclic I/O Connection</li> </ul>				
Access for NORD diagnosis tool via	diagnostics socket on the device (if available) and via frequency inverter				

## Installation

The bus interface must be attached to a suitable connection unit (SK TI4-TU...) and connected using the 4 provided M4 x 40 mm hexagon socket collar screws. Installation details can be found in the data sheet for the relevant connection units.

## Connections

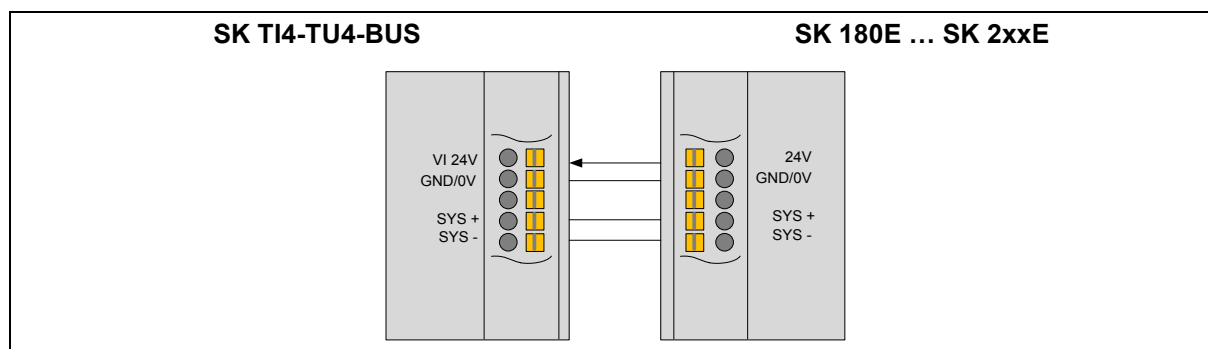
The connection of the field bus lines, signal lines and control lines takes place via the bus connection unit.

Potential	Contact	Designation	Description	
1	DeviceNet	1	24 V BUS	External 24 V supply DeviceNet field bus
		2	24 V BUS	External 24 V supply DeviceNet field bus
		3	DVN + IN	DeviceNet data cable + (Receive)
		4	DVN + OUT	DeviceNet data cable + (Transmit)
		5	DVN - IN	DeviceNet data cable - (Receive)
		6	DVN - OUT	DeviceNet data cable - (Transmit)
		7	GND BUS	Bus reference potential
		8	GND BUS	Bus reference potential
		9	SHLD	Bus shield
		10	PE	Earthing
2	System bus level and digital inputs	11	24 V	Supply voltage (+24 V)
		12	24 V	Supply voltage (+24 V)
		13	24 V	Supply voltage (+24 V)
		14	Sys +	System bus data line +
		15	GND	Reference potential (0 V/GND)
		16	Sys -	System bus data line -
		17	GND	Reference potential (0 V/GND)
		18	GND	Reference potential (0 V/GND)
		19	DIN 1	Digital input 1
		20	DIN 3	Digital input 3
		21	GND	Reference potential (0 V/GND)
		22	GND	Reference potential (0 V/GND)
		23	24 V	Supply voltage (+24 V)
		24	24 V	Supply voltage (+24 V)
		25	DIN 2	Digital input 2
		26	DIN 4	Digital input 4
		27	GND	Reference potential (0 V/GND)
		28	GND	Reference potential (0 V/GND)
		29	24 V	Supply voltage (+24 V)
		30	24 V	Supply voltage (+24 V)
3	Digital outputs	31	24V o DO	Supply voltage (+24 V)
		32	GND o DO	Reference potential (0 V / GND) of the digital outputs
		33	DO 1	Digital output 1 (+24 V, 500 mA)
		34	DO 2	Digital output 2 (+24 V, 500 mA)
		35	GND o DO	Reference potential (0 V / GND) of the digital outputs
		36	GND o DO	Reference potential (0 V / GND) of the digital outputs



*Schematic diagram - electrical connection*

(Terminal designation for the example of NORD frequency inverters SK 180E ... SK 2xxE)



**Configuration**

The bus address (MAC ID), the bus interface (1) and the baud rate (2) are set via the DIP switches. The DIP switch settings are read in after a “Power On” of the bus interface.

If the bus interface is the final subscriber on the DeviceNet field bus or the NORD system bus, the terminating resistor (3) must be activated.

DIP switch	Meaning	Department	Meaning
8	MAC ID Bit 5	Addressing	Bus address (MAC ID) of bus interface
7	MAC ID Bit 4		
6	MAC ID Bit 3		
5	MAC ID Bit 2		
4	MAC ID Bit 1		
3	MAC ID Bit 0	Baud rate	Bus interface baud rate
2	Baud rate bit 1		
1	Baud rate bit 0	Bus terminal	Not used (position "OFF")
E	—		Not used (position "OFF")
2	—		Termination resistor for NORD system bus
1	S-Bus Term.		



1. Addressing (DIP 8 ... 3)

The setting of the bus address takes place with binary coding using DIP switches 8...3. Address area "0"..."63".

2. Baud rate (DIP 2 ... 1)

The setting of the node ID takes place with binary coding using DIP switches 2...1.

DIP switch 2	DIP switch 1	Baud rate
OFF	OFF	125 kBaud
OFF	ON	250 kBaud
ON	OFF	500 kBaud

3. Termination resistor (DIP 1)

Set DIP switch 1 to the “ON” position if the bus interface is the final subscriber on the NORD system bus.

**i Information**

**DIP switch**

DIP switches “E” and “2” must be in the “OFF” position.

**i Information**

**Field bus termination**

In accordance with the DeviceNet specification, an external terminating resistor of 120 Ω must be set at each physical end of the DeviceNet field bus.

## LED indicators

The operating statuses of the bus interface are visualised using LED indicators.

No.	Name	Colour	Meaning
1	NS	red/green	DeviceNet Network status
	MS	red/green	DeviceNet Module status
2	EN	red	Device error
	DS	green	Device State



### DeviceNet-specific LED

MS (DeviceNet Module status)	Meaning
<b>OFF</b>	No voltage supply
<b>Steady illumination in green</b>	Bus interface ready
<b>Flashing green (0.5 s)</b>	<ul style="list-style-type: none"> <li>Bus interface in standby mode. No connection to one or more frequency inverters. No parameters exchanged, setpoint specifications via the AC profile not possible.</li> <li>Baud rate setting for DeviceNet field bus is invalid.</li> </ul>
<b>Steady illumination in red</b>	A fault that cannot be acknowledged has occurred. The bus interface may be defective and must be replaced.
<b>Flashing red (0.5 s)</b>	A fault that can be acknowledged has occurred on the bus interface.

NS (DeviceNet Network status)	Meaning
<b>OFF</b>	<ul style="list-style-type: none"> <li>No voltage supply.</li> <li>The bus interface has not performed the "DUP_MAC_ID" test.</li> </ul>
<b>Steady illumination in green</b>	Normal operation, cyclic data exchange via DeviceNet field bus.
<b>Flashing green (0.5 s)</b>	Bus interface is "Online" and has performed the "Dup_Mac_ID" test but has not established a connection to field bus subscribers.
<b>Steady illumination in red</b>	A serious communication error has occurred (e.g. bus off, duplicated bus address or invalid baud rate setting).
<b>Flashing red (0.5 s)</b>	The I/O connection or the function of parameter P151 has triggered a timeout error. The flash code is displayed for at least 5 seconds.

### NORD-specific LEDs

DS (Device State)	EN (Device Error)	Meaning
		long flashing = 0.5 s on / 1 s off short flashing = 0.25 s on / 1 s off
<b>OFF</b>	<b>OFF</b>	Bus interface not ready, no control voltage
<b>ON</b>	<b>OFF</b>	Bus interface ready, no error, at least one frequency inverter is communicating via the system bus
<b>ON</b>	<b>Short flashing</b>	Bus interface ready, but <ul style="list-style-type: none"> <li>One or more of the connected frequency inverters has fault status</li> </ul>
<b>Long flashing</b>	<b>OFF</b>	Bus interface ready and at least one other subscriber is connected to the system bus, but <ul style="list-style-type: none"> <li>No frequency inverter on the system bus (or connection interrupted)</li> <li>One or more system bus subscriber has an address error</li> <li>Software incompatible (bus interface software and FI software incompatible - update required)</li> </ul>
<b>Long flashing</b>	<b>Short flashing</b> Flash interval 1 x - 1 s pause	System bus is in status "Bus Warning" <ul style="list-style-type: none"> <li>Communication on system bus disrupted</li> <li>No other subscribers present on system bus</li> <li>Module not inserted correctly or no connection to system bus</li> <li>Frequency inverter has no supply voltage</li> </ul>
<b>Long flashing</b>	<b>Short flashing</b> Flash interval 2 x - 1 s pause	System bus is in status "Bus Off" <ul style="list-style-type: none"> <li>The system bus 24 V power supply has been interrupted during operation</li> </ul>
<b>Long flashing</b>	<b>Short flashing</b> Flash interval 3 x - 1 s pause	System bus is in status "Bus Off" <ul style="list-style-type: none"> <li>The 24 V voltage supply of the system bus is missing</li> </ul>
<b>Long flashing</b>	<b>Short flashing</b> Flash interval 4 x - 1 s pause	Bus interface error <ul style="list-style-type: none"> <li>See parameter <b>P170</b></li> </ul>
<b>OFF</b>	<b>Short flashing</b> Flash interval 1 x - 1 s pause	System error, internal program sequence interrupted <ul style="list-style-type: none"> <li>EMC interference (observe the wiring guidelines!)</li> <li>Bus interface defective</li> </ul>

## Error messages

Error messages from the bus interface - current or archived message relating to the last fault - can be read out via module parameter **P170**. The error messages are lost if the bus interface is switched off.

Error	Meaning	Remarks
100.0	EEPROM error	EMC faults, bus interface defective
101.0	System bus 24 V missing	No 24 V voltage on bus, connections not correct
102.0	Bus timeout P151	By means of timeout supervision parameter <b>P151/P513</b>
103.0	System bus BUS OFF	No 24 V supply to the bus, connections not correct
511.0	CANopen BUS OFF	Bus subscriber not connected to bus
511.1	CANopen warning	Bus error
511.2	CANopen overrun	Message buffer of bus interface overwritten with new telegram before processing
511.3	Invalid CANopen address	Incorrect/duplicated bus address
512.0	CANopen timeout	Telegram transfer error

Bus interface-related errors are depicted as follows in the error memory of the frequency inverter (**P700 / P701**).

Error (E010)	Meaning	Remarks
10.2	External bus interface telegram timeout	Telegram transfer error <ul style="list-style-type: none"> <li>Check the connections and links, program sequence and Bus Master.</li> </ul>
10.3	Timeout by <b>P151/P513</b>	Telegram transfer error. <ul style="list-style-type: none"> <li>Check watchdog time (P151).</li> <li>Check the connections and links and the program sequence in the Bus Master.</li> </ul> The release bit is missing in the control word.
10.4	External bus interface initialisation error	Unable to address bus interface. <ul style="list-style-type: none"> <li>Check parameter P746 setting.</li> <li>Check power supply of bus interface.</li> <li>Check the connections and links.</li> </ul>
10.8	External bus interface communication error	Only SK TU3-CAO bus interface: Connection between bus interface and frequency inverter interrupted.
10.9	Missing bus interface	Bus interfaces SK CU4-DEV and SK TU4-DEV only: Connection between bus interface and frequency inverter interrupted (see setting of parameter <b>P120</b> ).

## Parameters

*Frequency inverter:* The following frequency inverter parameters must be adapted for setting up communication between the frequency inverter and the bus interface (for details please refer to the frequency inverter manual).

Parameter [-Array]	Meaning	Remarks
<b>P120</b> [-01]	Option monitoring	"Auto" (default setting) Only SK xU4
<b>P509</b>	Source Control Word	SK TU3-... on SK 5xxE: "Ethernet TU" SK xU4-... on SK 180/SK 2xxE: "System bus"
<b>P510</b> [-01]...[-02]	Setpoint source	"Auto" (default setting)
<b>P513</b>	Time-out	Monitoring of the SK TU3 bus interface Only SK 5xxE
<b>P543</b> [-01]...[-03] ([-05]) and <b>P543</b> ... <b>P545</b>	Bus actual value (1...3 (...5))	Possible settings according to <b>P418</b>
<b>P546</b> [-01]...[-03] ([-05]) and <b>P546</b> ... <b>P548</b>	Bus setpoint value (1...3 (...5))	Possible settings according to <b>P400</b>
<b>P700</b> [-01]/ <b>P701</b>	Current/last faults	Information parameter
<b>P740/P741</b>	Process data bus In / Out	Information parameter
<b>P745</b>	Module version	Information parameter Only SK TU3
<b>P746</b>	Module status	Information parameter Only SK TU3
<b>P748</b>	CANopen/System bus status	Information parameter




*Bus interface:* The bus interface provides a selection of appropriate parameters for setting or displaying special operating values. Parameters can be adapted using the NORDCON software or an

SK PAR-3H / -3E parameter box. All parameters can still be read and written by the bus master via DeviceNet.

Parameter [-Array]	Meaning	Remarks
P150	Set relays	Set DOUT directly or control via BUS
P151	External bus time-out	Monitoring of SK xU4 bus interface
P152	Factory setting	Reset bus interface parameters
P153 [-01]...[-02]	Minimum system bus cycle	Reduction of bus load on the system bus caused by the bus interface
P154 [-01]...[-02]	Access to option card I/O	Administration of read and write rights to the IO of the module
P160	Assembly selection	Assignment if instances of the assembly object (frequency inverter and bus interface)
P161 [-01]...[-02]	Config PZD BusBG	Determine length of process data for the bus interface
P162 [-01]...[-03]	Config PZD FU1	Determine length of process data for frequency inverter F1
P163 [-01]...[-03]	Config PZD FU2	Determine length of process data for frequency inverter F2
P164 [-01]...[-03]	Config PZD FU3	Determine length of process data for frequency inverter F3
P165 [-01]...[-03]	Config PZD FU4	Determine length of process data for frequency inverter F4
P170 [-01]...[-02]	Present errors	Display bus interface errors
P171 [-01]...[-03]	Software version	Firmware version/Revision
P172	Configuration	Bus interface type
P173	Module status	Status of system bus or the connected FI
P174	Status of digital inputs	Image of the switching status of DIN
P175	Digital output state	Image of the switching status of DOUT
P176 [-01]...[-17]	Process data bus In	Information parameter
P177 [-01]...[-17]	Process data bus Out	Information parameter
P180	DeviceNet address	Information parameter
P181	DeviceNet baud rate	Information parameter

### Parameter access and diagnostics

The NORD CON software and optional control units such as the SK PAR-3H parameter box provide convenient access to the parameters of the bus interface and allow status information to be read out.

SK TU3-	SK TU4-	SK CU4- / SK TU4-
Access via RJ12 diagnostics socket of the SK 5xxE	Access via RJ12 diagnostics socket of the bus connection unit <b>SK T14-TU-BUS(-C)</b>	Access via RJ12 frequency inverter diagnostics socket, if connected to the bus interface via the system bus.
		

### Further documentation and software ([www.nord.com](http://www.nord.com))

Software	Description
<a href="#">EDS-file</a>	Device characteristics and parameters

Software	Description
<a href="#">NORD CON</a>	Parametrisation and diagnostic software

Document	Description
<a href="#">BU 0000</a>	Description of NORD CON software
<a href="#">BU 0040</a>	Parameter box manual
<a href="#">BU 0180</a>	Frequency inverter manual SK 180E, SK 190E
<a href="#">BU 0200</a>	Frequency inverter manual SK 2xxE
<a href="#">BU 2600</a>	DeviceNet bus communication description

Document	Description
<a href="#">TI 275280500</a>	Bus connection unit SK T14-TU-BUS-C
<a href="#">TI 275274505</a>	SK TIE4-M12-SYSS System bus connection expansion exit
<a href="#">TI 275274506</a>	SK TIE4-M12-SYSS System bus connection expansion entrance
<a href="#">TI 275274515</a>	SK TIE4-M12-CAO-OUT CANopen connection expansion output
<a href="#">TI 275274501</a>	SK TIE4-M12-CAO CANopen connection expansion entrance